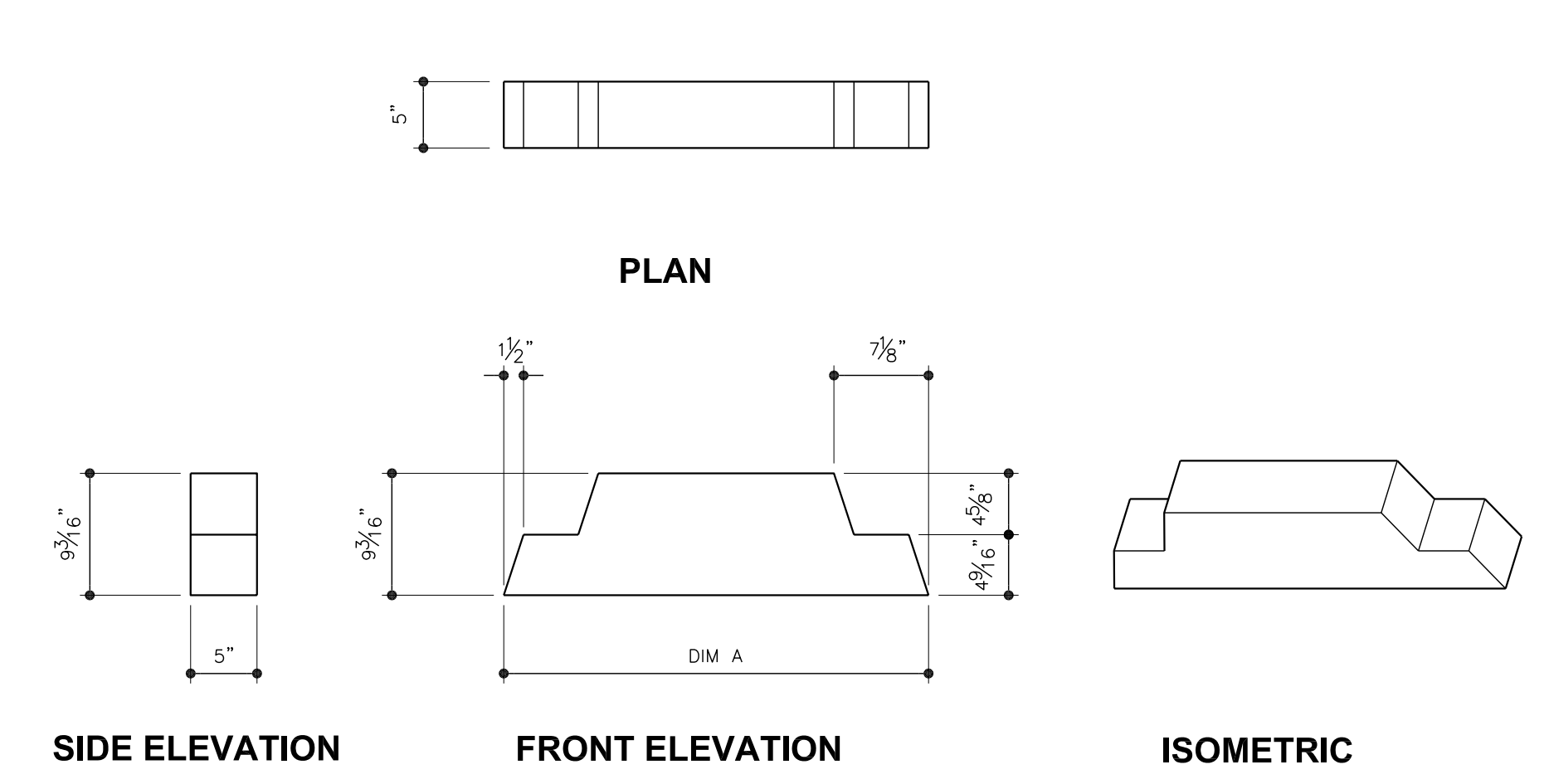


9 THROAT RIGHT SIDE SCALE: 1" = 1'-0"



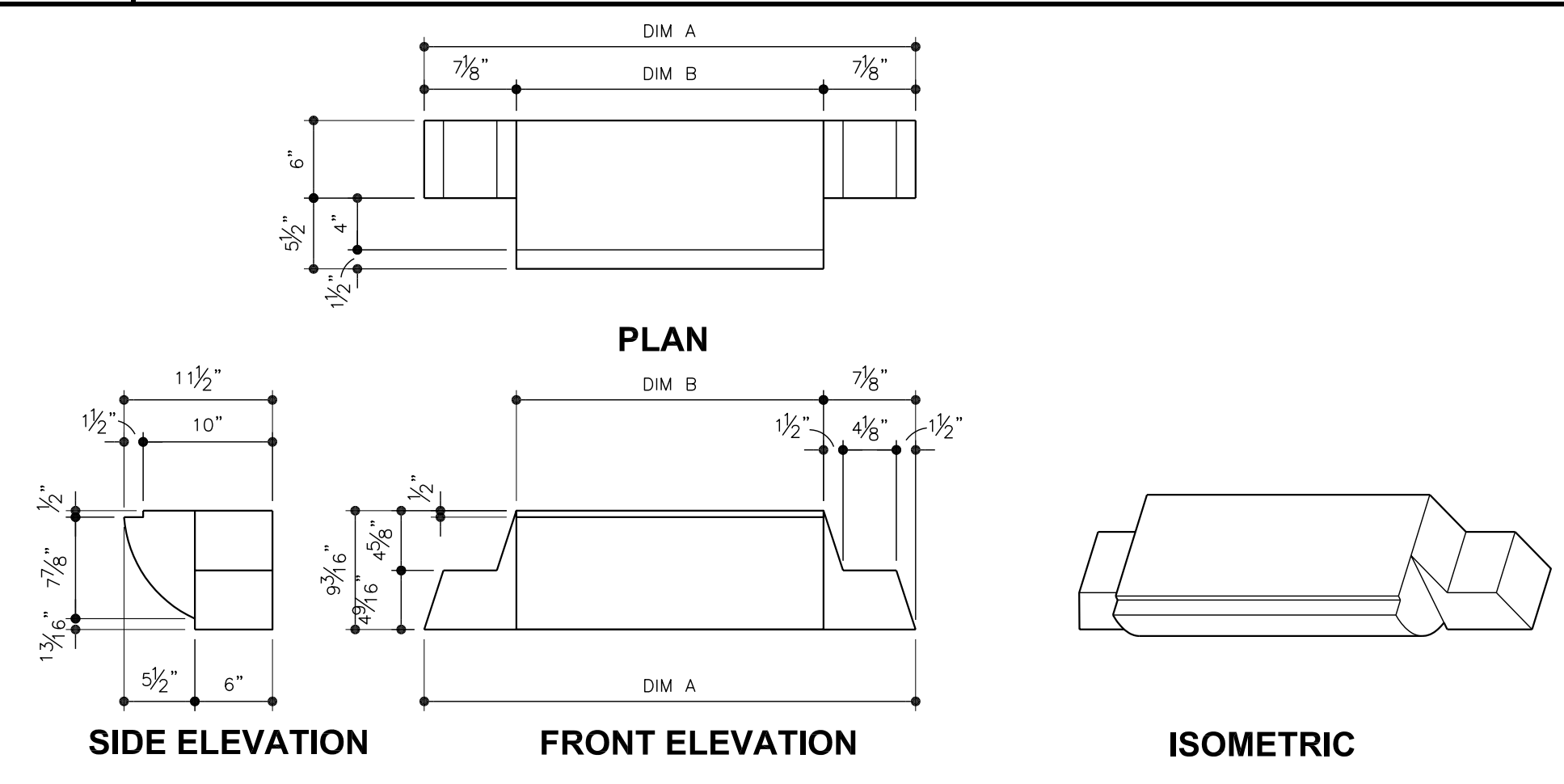
10 SMOKE CHAMBER FRONT AND BACK SCALE: 1" = 1'-0"

FIREPLACE SIZE	# OF ROWS OF BLOCK NEEDED	DIM A
30"	1	32
36"	2	38, 32
42"	2	44, 38
48"	3	50, 44, 38

FireRock

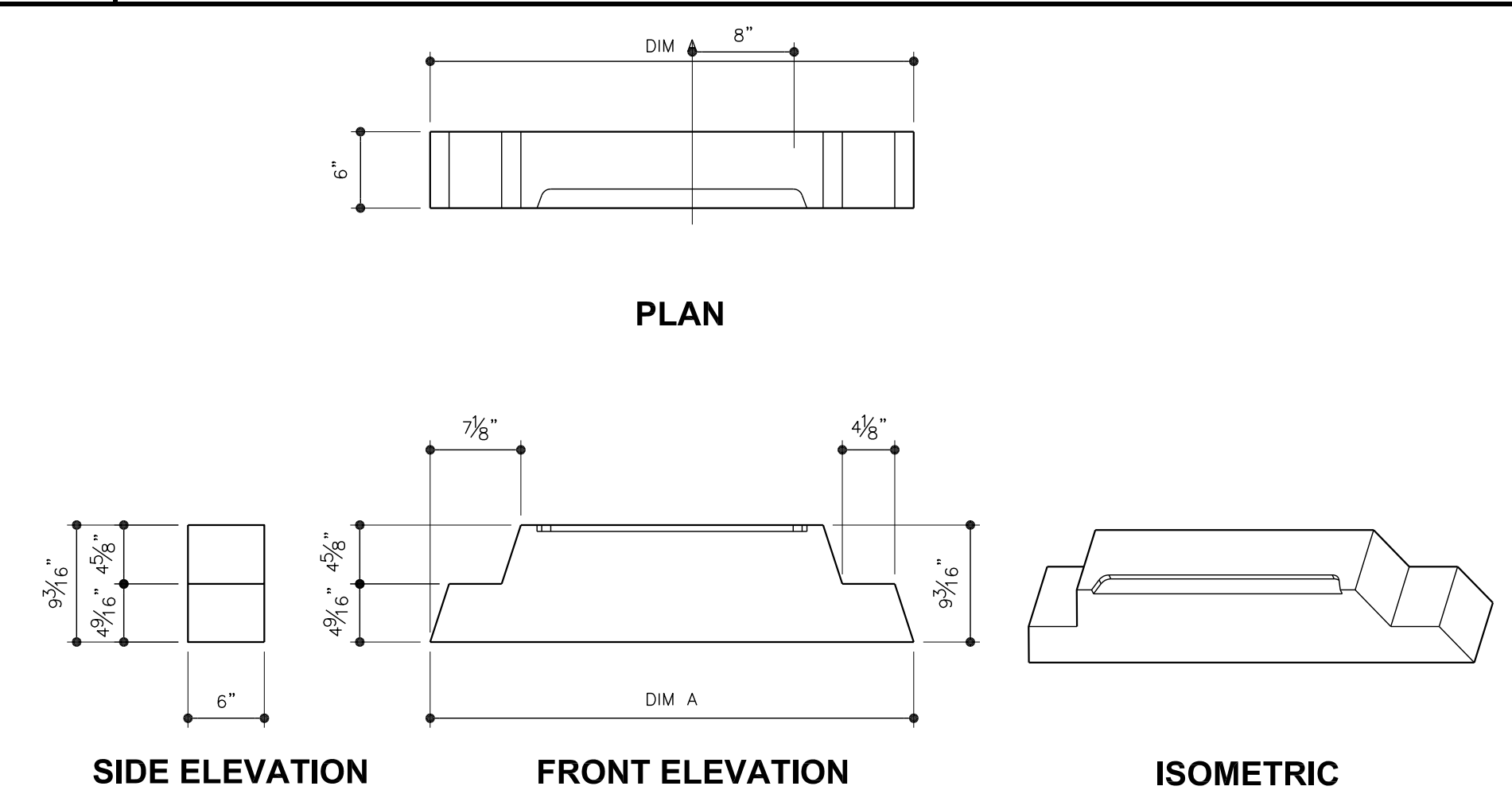
The fireplace, *rekindled.*

RUMFORD FIREPLACE- INDIVIDUAL COMPONENTS



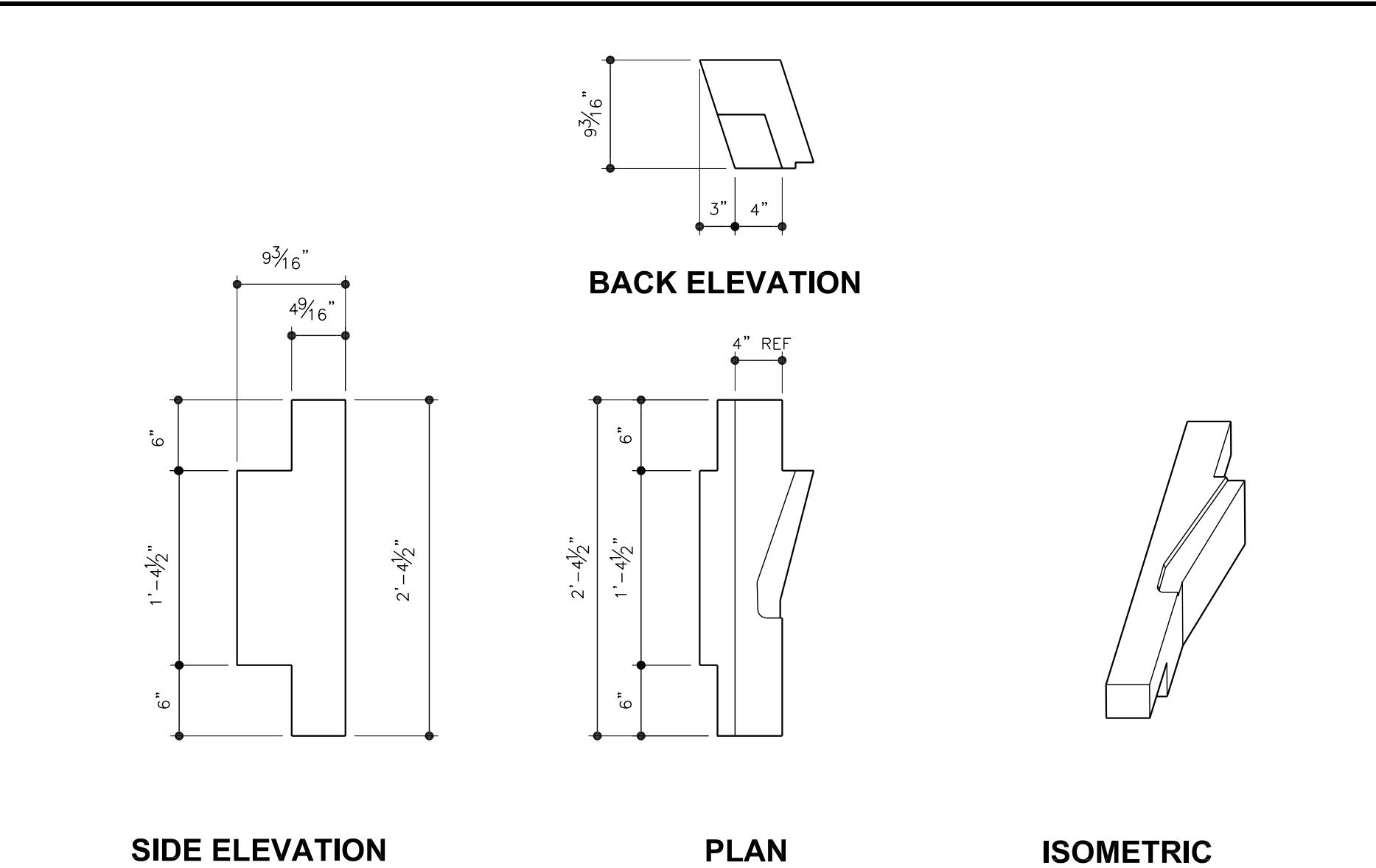
6 RADIUS THROAT FRONT SCALE: 1" = 1'-0"

FIREPLACE SIZE	DIM A	DIM B
30"	38	23, 34
36"	44	29, 34
42"	50	35, 34
48"	56	41, 34

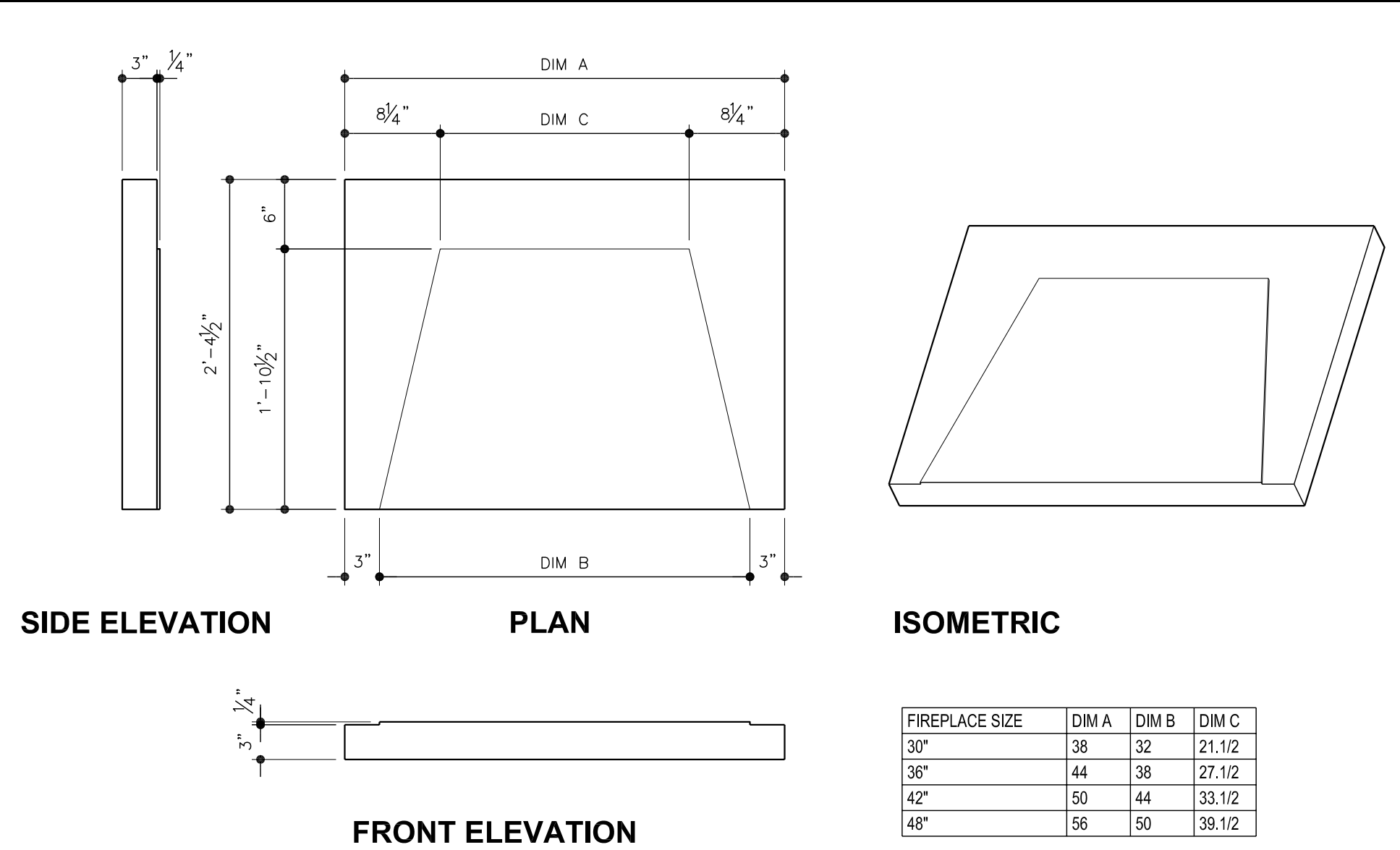


7 SQUARE THROAT BACK SCALE: 1" = 1'-0"

FIREPLACE SIZE	DIM A
30"	38
36"	44
42"	50
48"	56

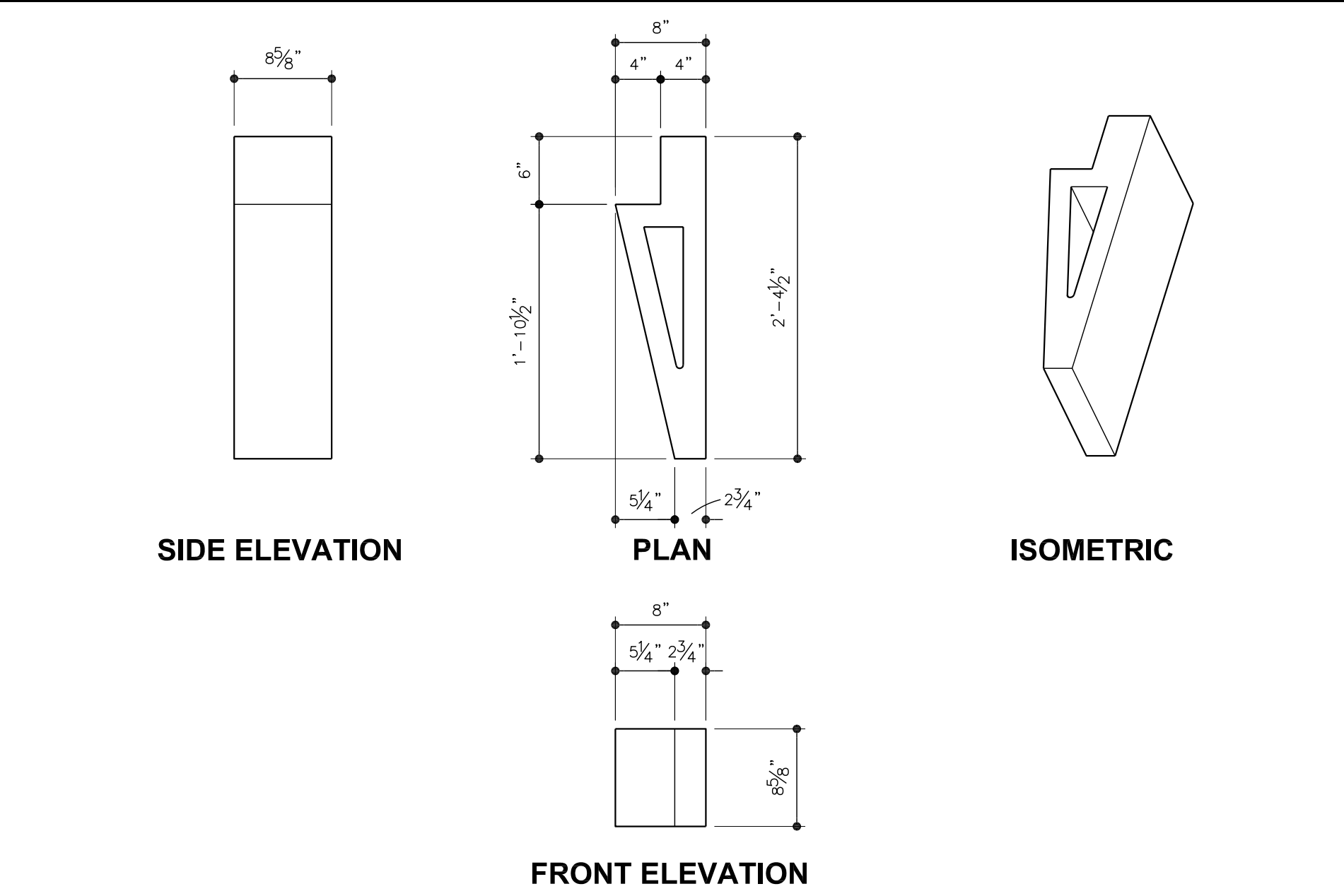


8 THROAT LEFT SIDE SCALE: 1" = 1'-0"

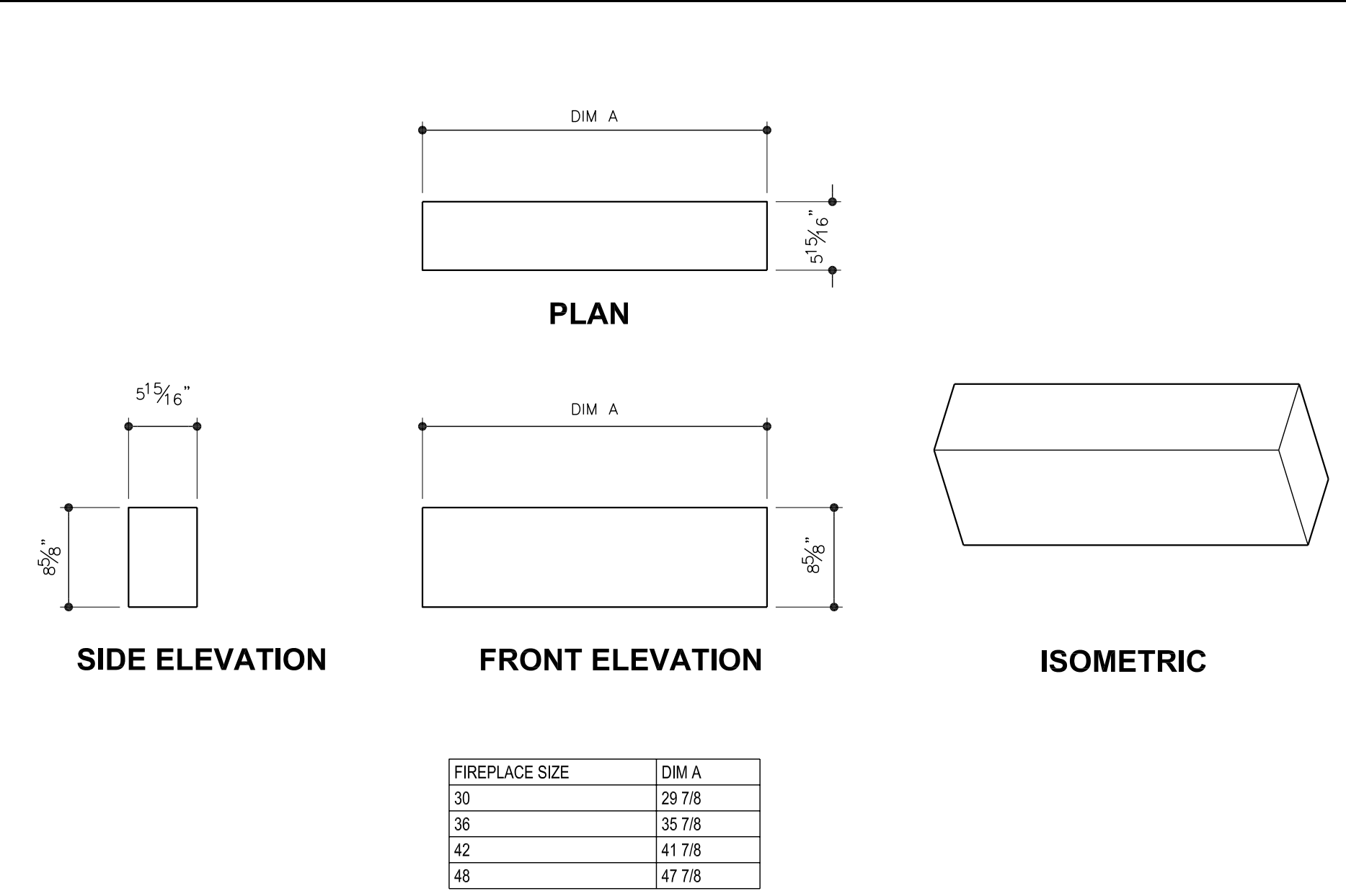


1 BASE PLATE SCALE: 1" = 1'-0"

FIREPLACE SIZE	DIM A	DIM B	DIM C
30"	38	32	21, 1/2
36"	44	38	27, 1/2
42"	50	44	33, 1/2
48"	56	50	39, 1/2



2 FIREBOX SIDE SCALE: 1" = 1'-0"



3 FIREBOX BACK- STRAIGHT BACK BLOCK SCALE: 1" = 1'-0"

FIREPLACE SIZE	DIM A
30	29 7/8
36	35 7/8
42	41 7/8
48	47 7/8

