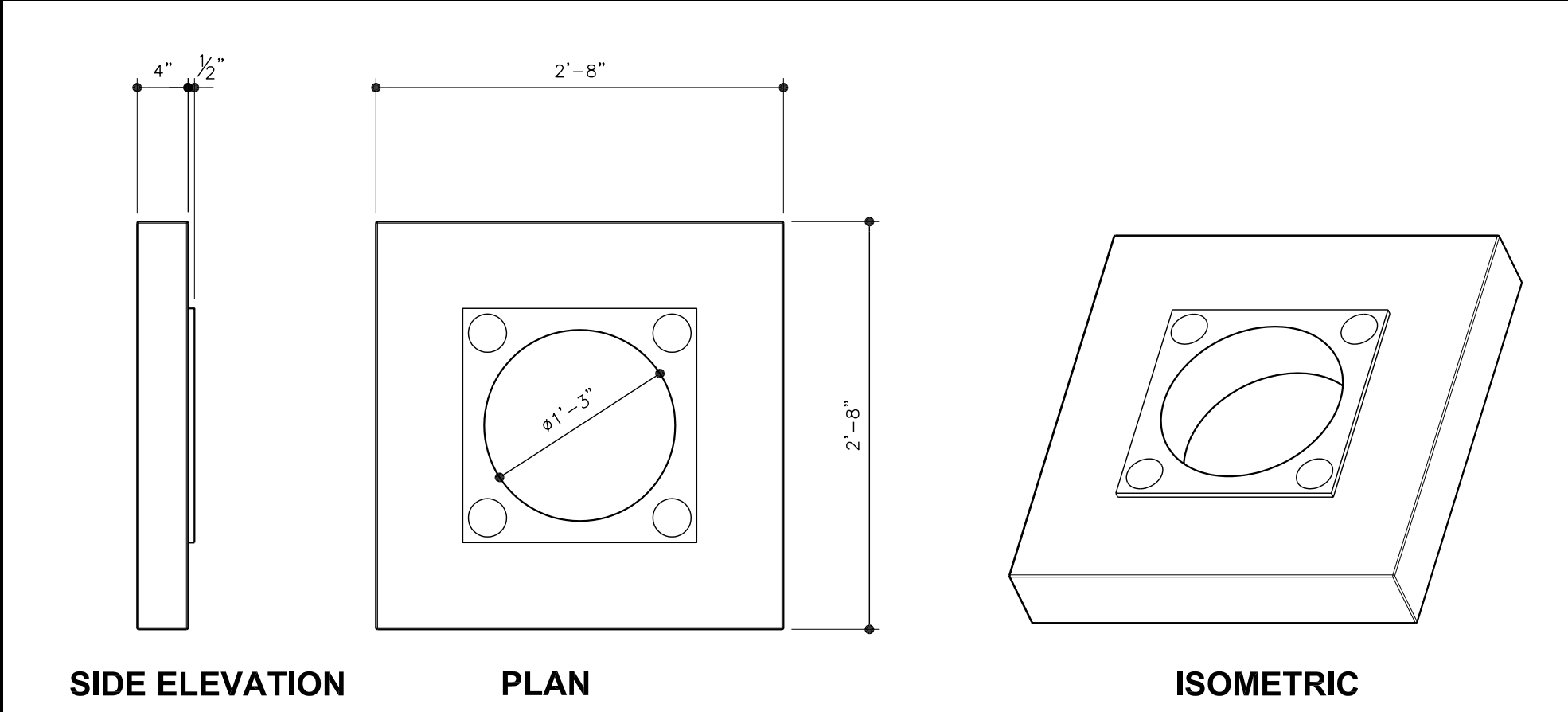
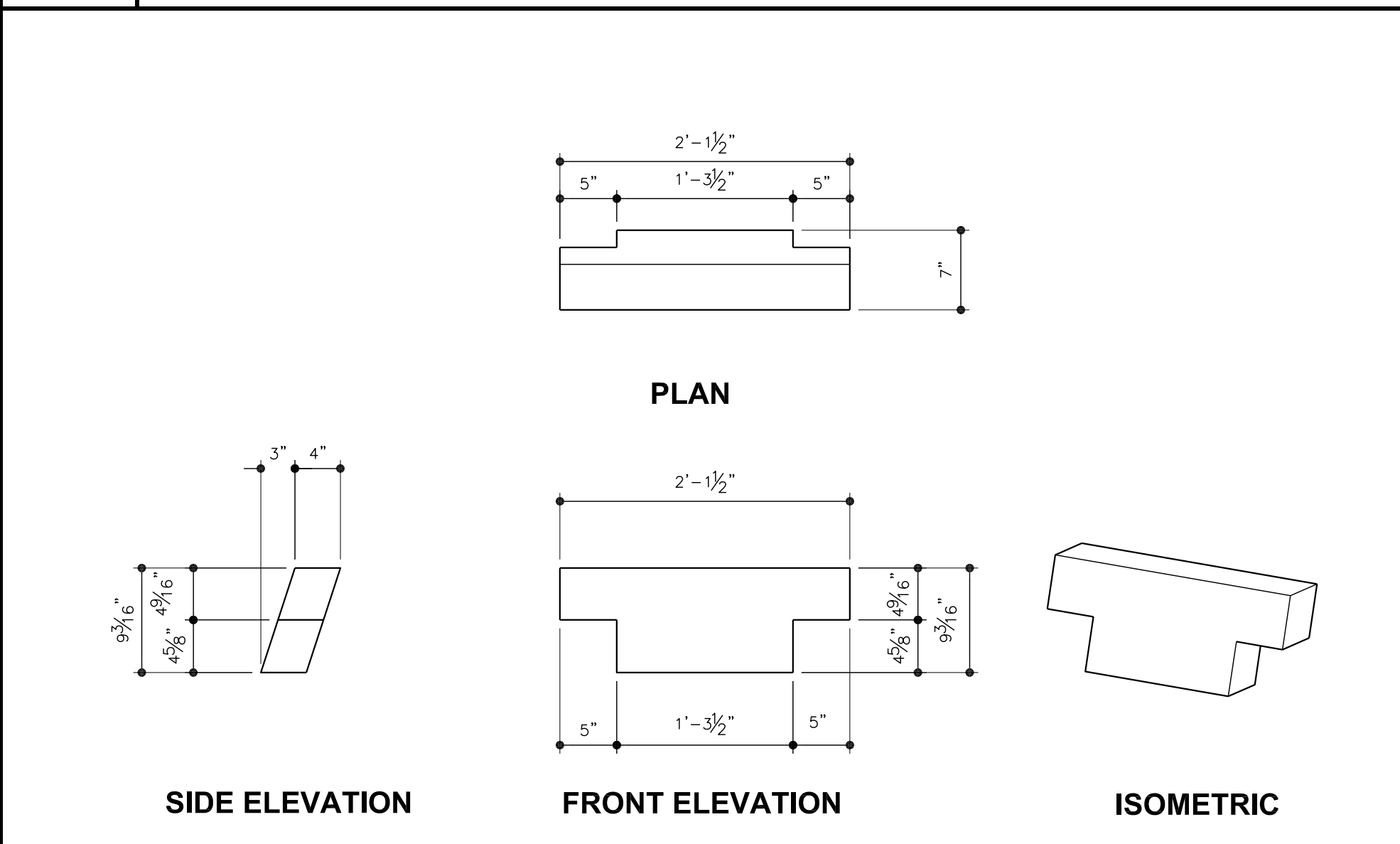


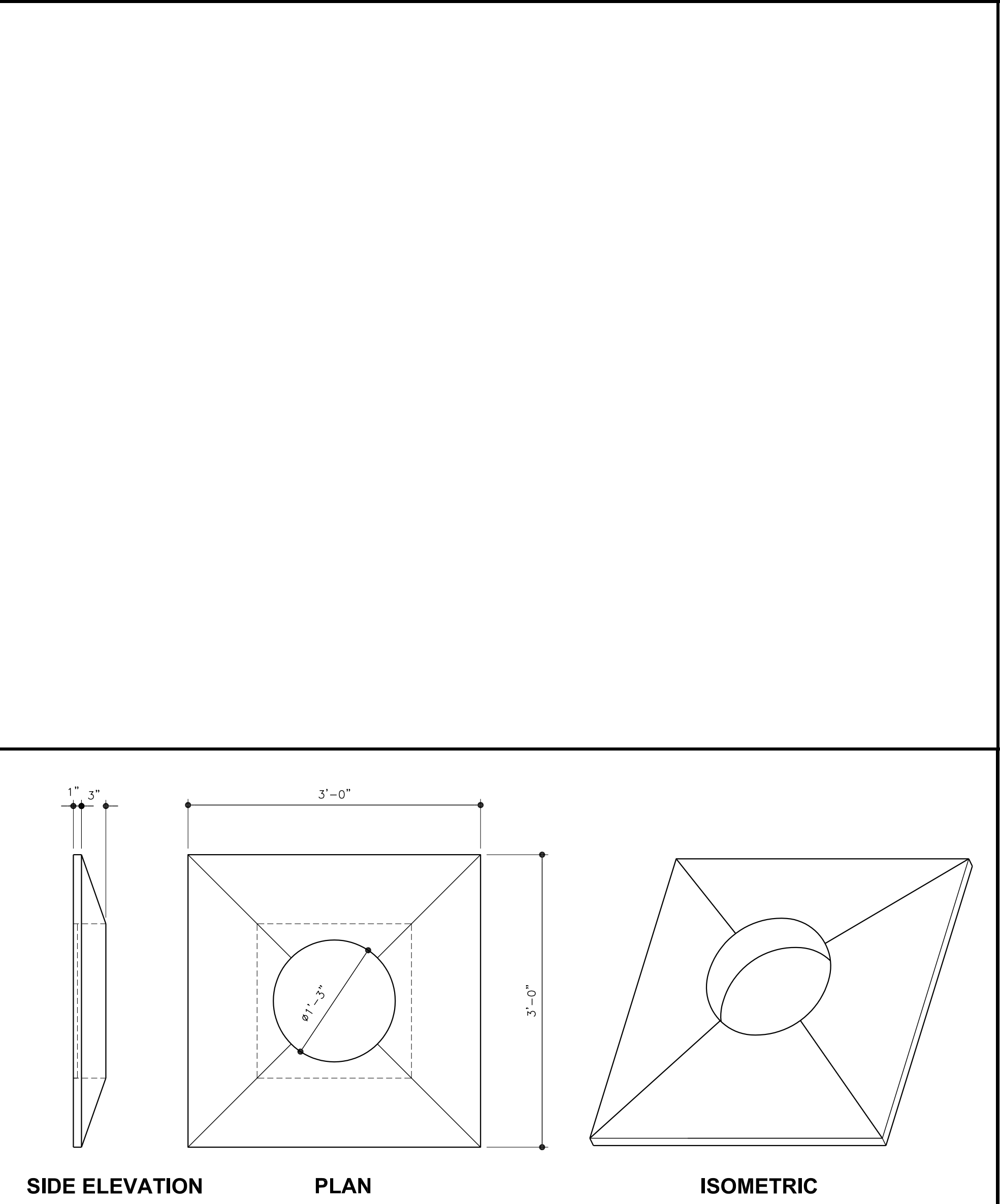
**20** FIREBOX ARCHED HEADER (OPTIONAL) SCALE: 1" = 1'-0"



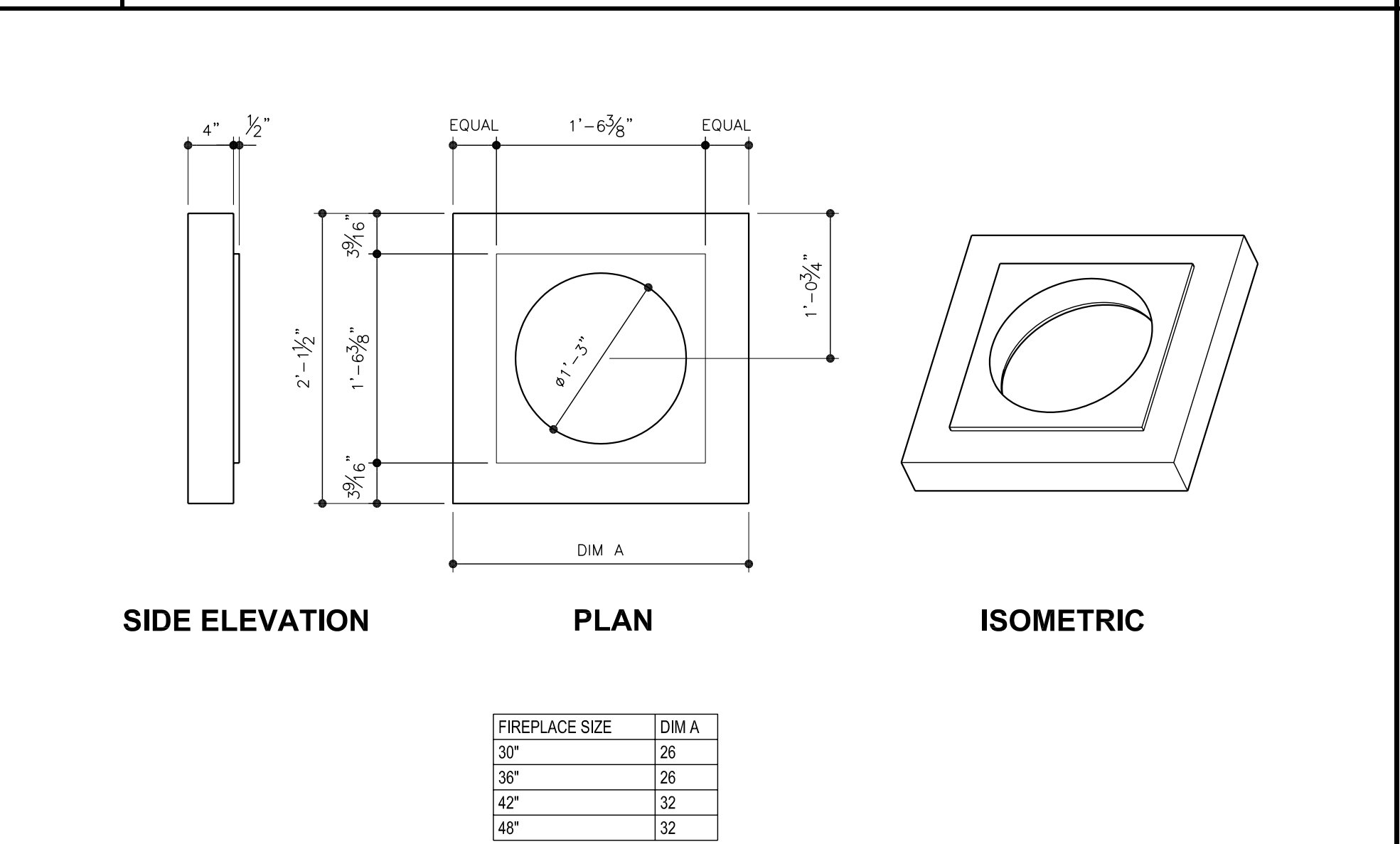
**16** BRICKING FLANGE (ONLY IF REQUIRED BY INSTALLATION) SCALE: 1" = 1'-0"



**11** UNIVERSAL SMOKE CHAMBER SIDES SCALE: 1" = 1'-0"



**17** CHIMNEY CAP (OPTIONAL) SCALE: 1" = 1'-0"

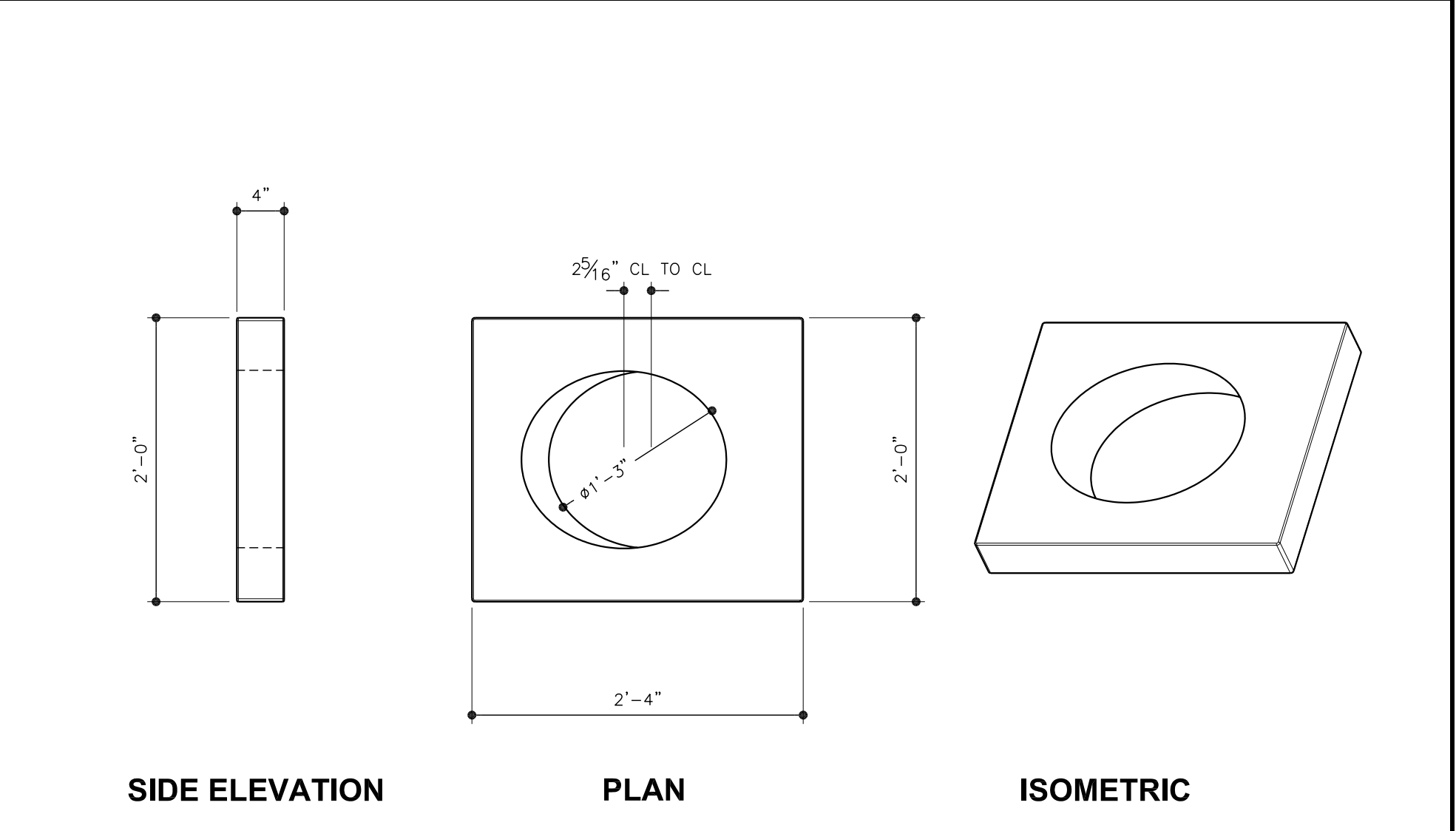


**12** CHIMNEY BASE SCALE: 1" = 1'-0"

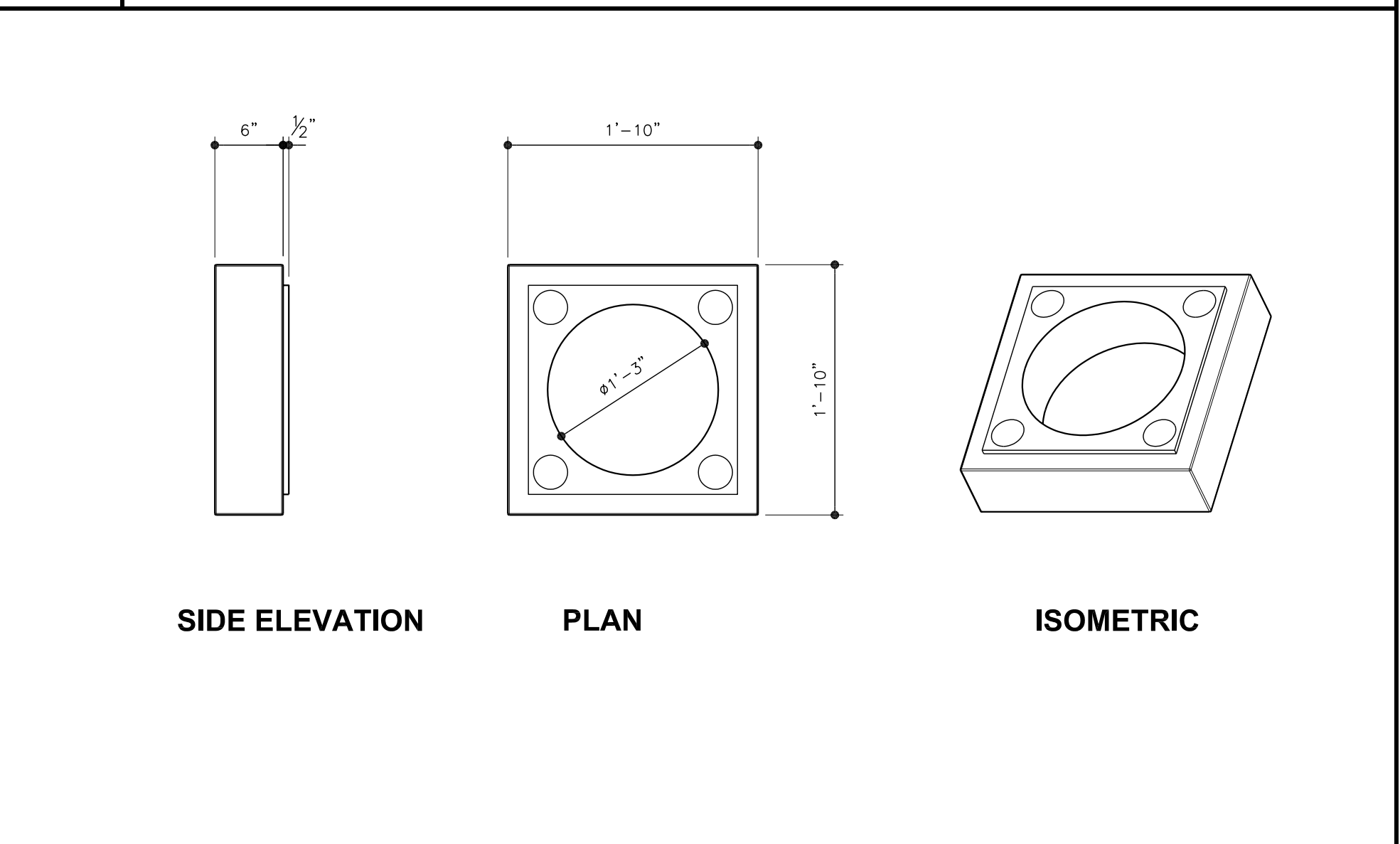
# FireRock

The fireplace, *rekindled.*

## RUMFORD FIREPLACE- INDIVIDUAL COMPONENTS



**18** OFF-SET CHIMNEY BLOCK (ONLY IF REQUIRED BY INSTALLATION) SCALE: 1" = 1'-0"



**13** CHIMNEY BLOCK SCALE: 1" = 1'-0"

