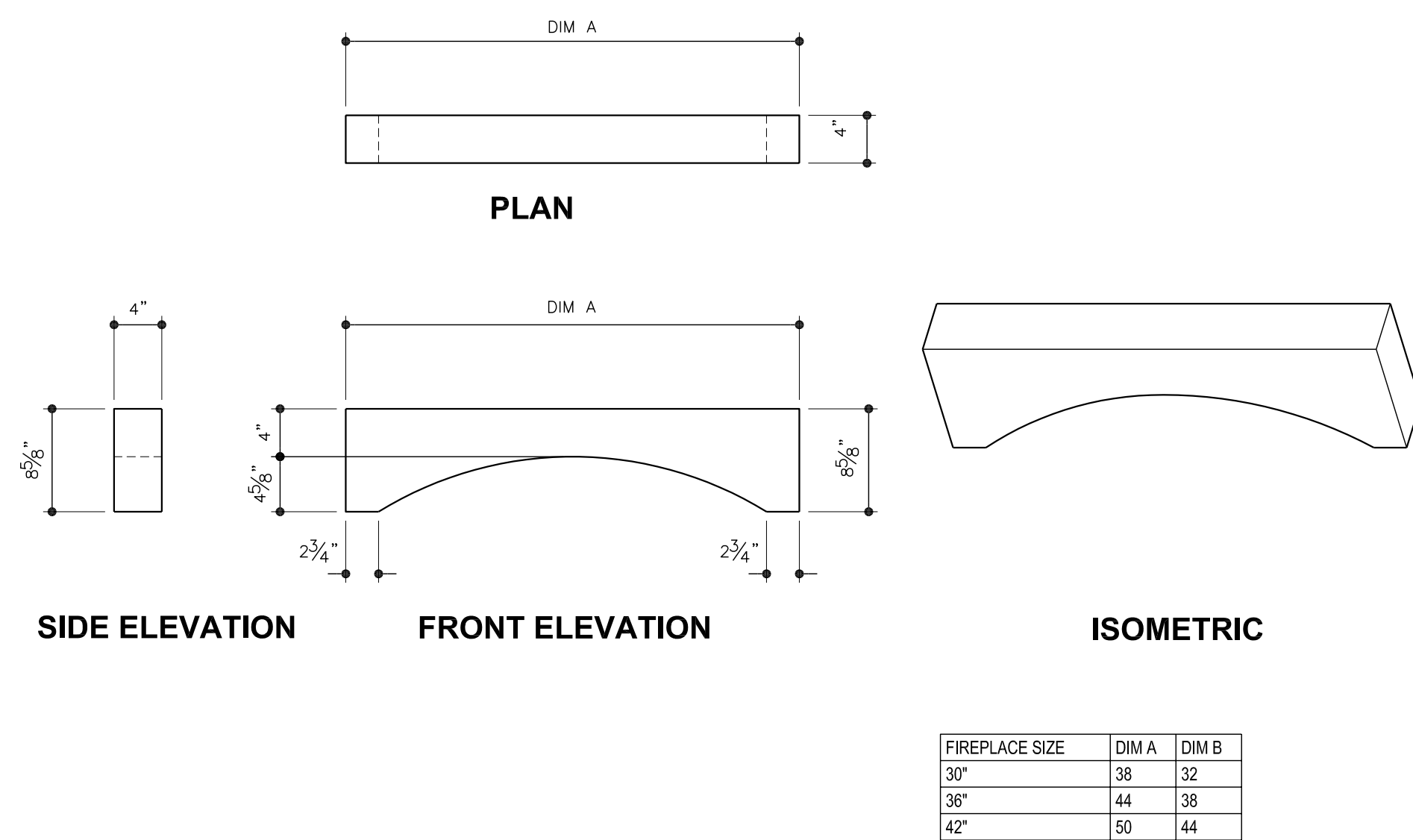


FireRock

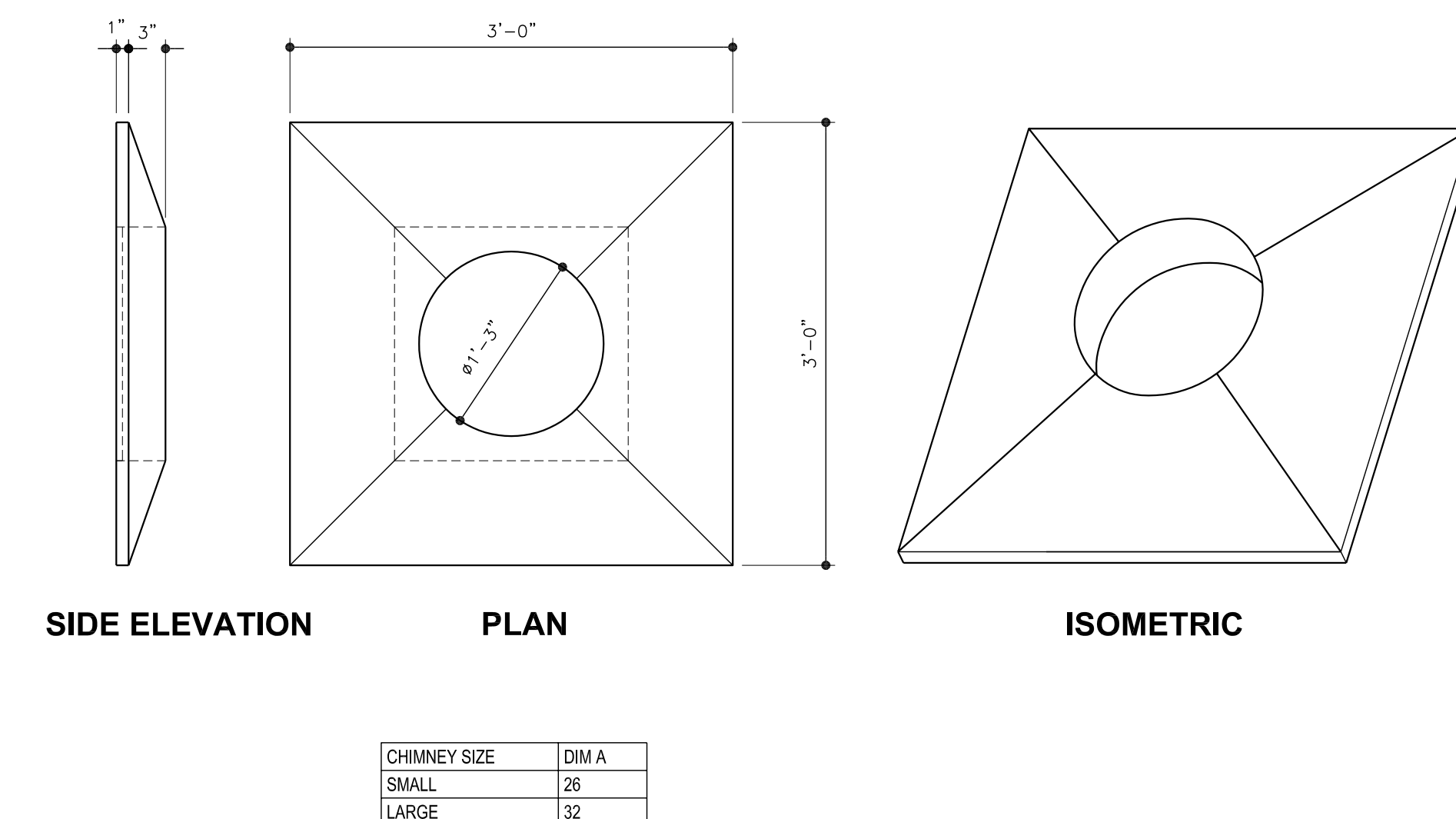
The fireplace, *rekindled.*

SEE-THROUGH FIREPLACE- INDIVIDUAL COMPONENTS



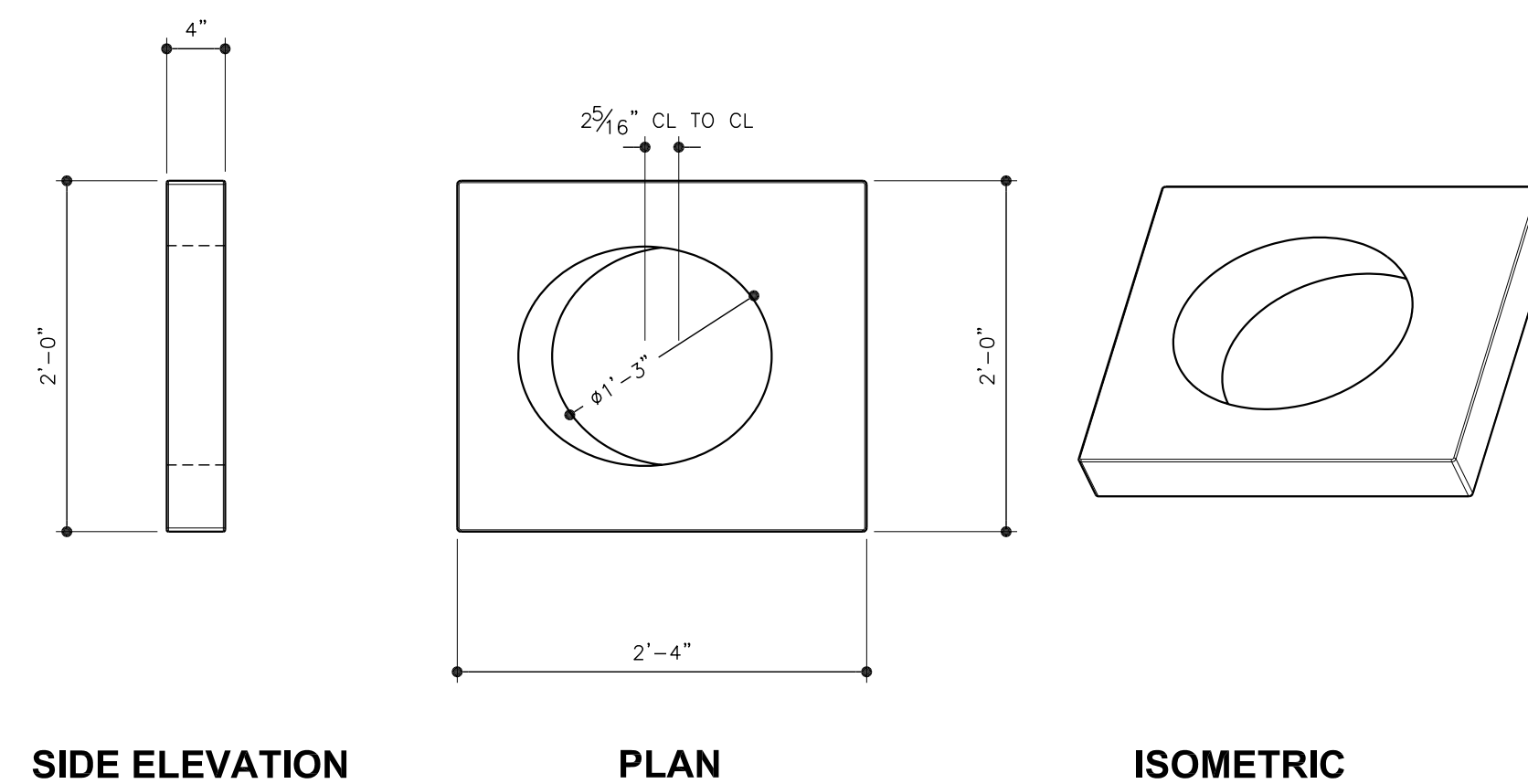
20 FIREBOX ARCHED HEADER
(OPTIONAL)

SCALE: 1" = 1'-0"



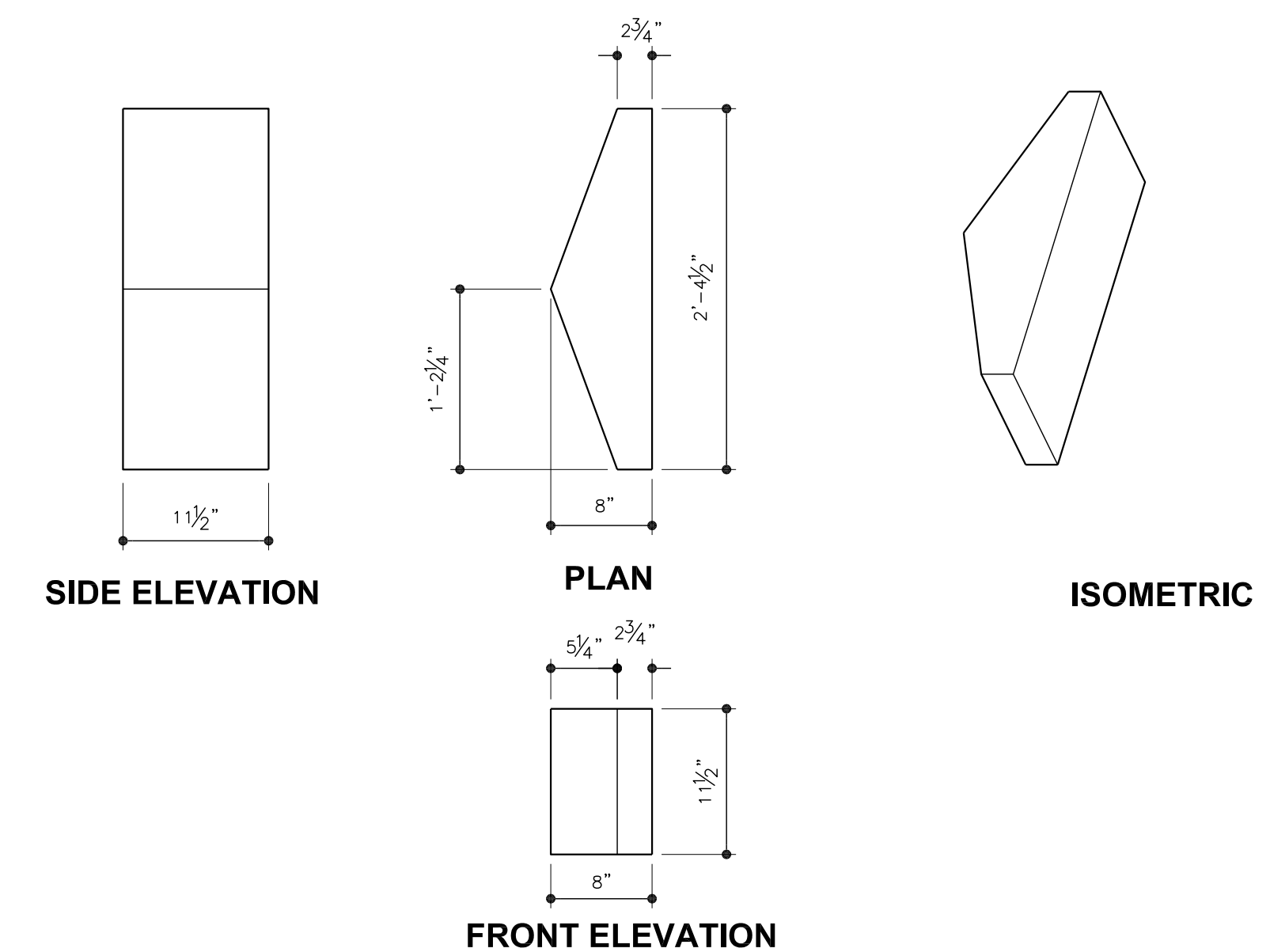
17 CHIMNEY CAP
(OPTIONAL)

SCALE: 1" = 1'-0"



18 OFF-SET CHIMNEY BLOCK
(ONLY IF REQUIRED BY INSTALLATION)

SCALE: 1" = 1'-0"



19 SEE-THROUGH FIREBOX SIDE

SCALE: 1" = 1'-0"

RELEASE DATE 04/02/09

SCALE 1" = 1'-0"

SHEET

ST-2