



[www.firerock.us](http://www.firerock.us)

## INSTALLATION AND SPECIFICATION MANUAL SUPPLEMENT

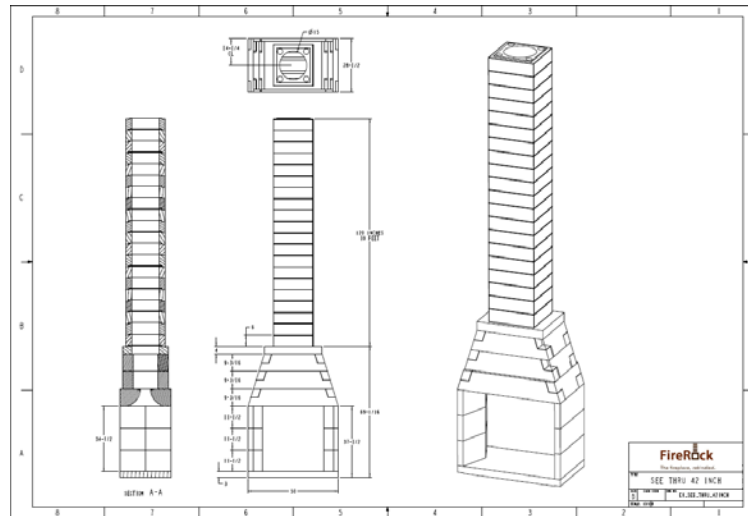
FOR THE

**LISTED MASONRY FIREPLACE SYSTEM;**

**SEE-THRU FIREROCK 30 ST, 36 ST, 42 ST, 48 ST INCH MODULAR FIREPLACES**

**LISTED SEE-THRU VENTLESS FIREBOX ENCLOSURE,**

**FIRE ROCK 30 VF-ST, 36 VF-ST, 42 VF-ST, 48 VF-ST**



**Before installing this product please consult with local building and zoning authorities regarding the need for proper permitting.**

**INSTALLER: LEAVE THIS MANUAL WITH THE APPLIANCE**

**CONSUMER: RETAIN THIS MANUAL FOR FUTURE REFERENCE**

**U.L. 127 Compliant**



MANUFACTURING:  
**3620 AVENUE C**  
**BIRMINGHAM, AL**

Phones: 205-639-5000

Toll-free: 1-888-876-1025

ADMINISTRATIVE:  
**PO BOX 272**  
**BIRMINGHAM, AL 35064**

Fax: 205-639-5015

## "WARNINGS"

FIREPLACES EQUIPPED WITH DOORS SHOULD BE OPERATED ONLY WITH DOORS FULLY OPEN OR DOORS FULLY CLOSED. IF DOORS ARE LEFT PARTLY OPEN, GAS AND FLAME MAY BE DRAWN OUT OF THE FIREPLACE OPENING, CREATING RISKS OF BOTH FIRE AND SMOKE.

### Creosote - Formation and Need for Removal

When wood is burned slowly, it produces tar and other organic vapors, which combine with expelled moisture to form creosote. The creosote vapors condense in the relatively cool chimney flue of a slow-burning fire. As a result, creosote residue accumulates on the flue lining. When ignited this creosote makes an extremely hot fire. The chimney should be inspected at least twice a year during the heating season to determine if a creosote buildup has occurred. If a significant layer of creosote has accumulated (1/8 inch or more) it should be removed to reduce the risk of a chimney fire."

### Gasoline – Other fossil fuels

Never use gasoline, gasoline-type lantern fuel, kerosene, charcoal lighter fluid, or similar liquids to start or 'freshen up' a fire in this fireplace. Keep all such liquids well away from the fireplace while it is in use.

### Disposal of Ashes

Ashes should be placed in a metal container with a tight-fitting lid. The closed container of ashes should be placed on a noncombustible floor or on the ground, well away from all combustible materials, pending final disposal. If the ashes are disposed of by burial in soil or otherwise locally dispersed, they should be retained in the closed container until all cinders have thoroughly cooled."

### Smoke detectors

It is recommended that all dwellings have fully operational Smoke Detectors

### Future Construction

Any remodeling surrounding this fireplace and chimney installation shall adhere strictly to the provisions set forth herein.

Do not build a fire too close to the glass.

### Combustion and Ventilation Air

It is important to realize that all fuel burning appliances require combustion air as well as ventilation air. Be sure there is an adequate source of air. The manufacturer recommends an outside air source be utilized with this product.

# See Thru Fireplace Components

Figure 1

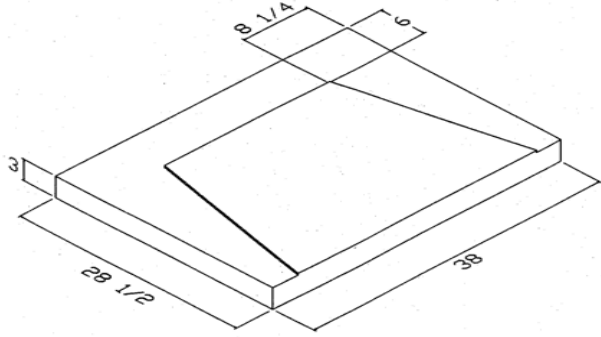


Figure 1

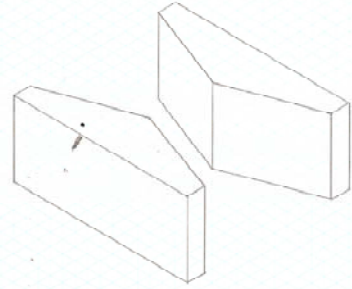


Figure 3

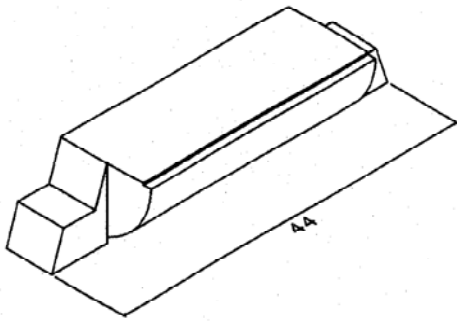


Figure 4

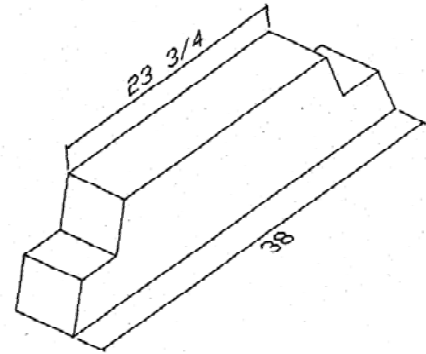


Figure 5

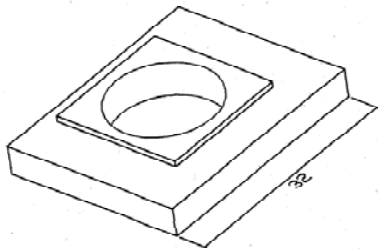


Figure 6



## OPERATING INSTRUCTIONS

This section of the manual is to help you get maximum efficiency and maximum smoke (particulate) reduction from your emberlok fireplace. If you should experience any difficulty or have any questions concerning your fireplace, contact your dealer or the manufacturer for assistance.

The manufacturer's recommendation for peak performance and long catalyst life is to burn seasoned hardwood (wood dried 6 – 12 months) and place wood from side to side in the fireplace.

The manufacturer recommends that a log grate be used in your fireplace for maximum performance. The use of andirons is acceptable.

When building a fire in your outdoor fireplace be mindful of the possibility of sparks escaping and igniting combustible surroundings.

### DO NOT OVERFIRE

The following steps will serve as a guide for operating your fireplace.

#### **Building a fire without a log lighter:**

1. Twist 4-5 pieces of non-colored newspaper in a roll and place on the floor or grate of the firebox.
2. Lay several pieces of kindling on top of the newspaper
3. Place three to four pieces of firewood on top of the kindling
4. Light the newspaper

#### **Building a fire with a log lighter:**

1. Lay several pieces of kindling across the log grate or if no log grate is present, place the kindling on the floor of the fireplace.
2. Place three to four pieces of firewood on top of the kindling
3. A key in front of the fireplace or on the hearth controls the gas log lighter. Turn the key on and light the log lighter with a long fireplace match. Once the logs begin to burn well, turn the log lighter off.

**CLEARANCE TO COMBUSTIBLES** (Clearances referencing "Opening" shall refer to each opening)

UNIT TO SIDE ENCLOSURE	1"	UNIT TO BACK ENCLOSURE	n/a
UNIT TO FACE ENCLOSURE	1"	UNIT TO CEILING JOISTS	1"
OPENING TOP TO COMBUSTIBLE MANTLE	16"	OPENING TO SIDEWALL	28"
OPENING TO COMBUSTIBLE FACEWALL	12"	GLASS DOORS REQUIRED ON ONE SIDE	

**\*\*\*WARNING\*\*\***

**DO NOT PACK AIR SPACES WITH INSULATION OR OTHER MATERIALS**

**"Use solid wood, processed solid fuel firelogs or ANSI approved gas log appliance fuel only."**

**"Do not poke or stir the logs while they are burning. Use only firelogs that have been evaluated for the application in fireplace and refer to firelog warnings and caution markings on packaging prior to use."**

**"Do not use a fireplace insert or other products not specified for use with this fireplace." If the fireplace has been investigated and found to be acceptable for use with a specified fireplace insert, or other specified product, the statement shall be modified as appropriate.**

**PROVISIONS FOR GAS PIPE INSTALLATION**

This Fire Rock fireplace does not have a provision for a gas pipe installation, however, a gas line may be installed by drilling through the firebox sidewall and passing a length of gas pipe through. This type connection is intended only for connection to a decorative gas appliance and must:

- 1) Incorporate a gas shut-off device and
- 2) comply with the Standard for Decorative Gas Appliances for Installation in Vented Fireplaces, ANSI Z21.60. The decorative gas appliance shall be installed in accordance with the National Fuel Gas Code, ANSI Z223.

**"CAUTION"**

**"WHEN USING THE DECORATIVE GAS APPLIANCE, THE FIREPLACE DAMPER MUST BE SET IN THE FULLY OPEN POSITION."**

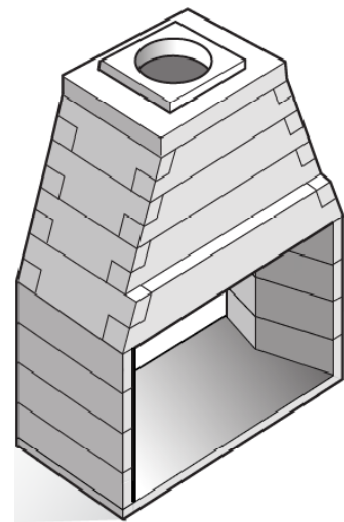
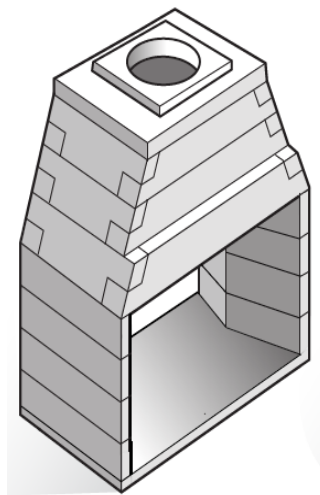
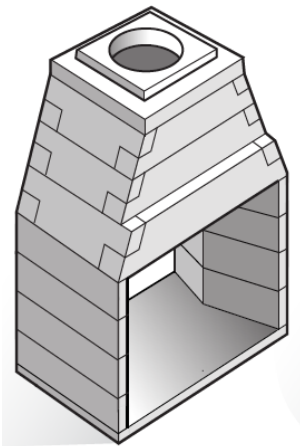
**"WARNING"**

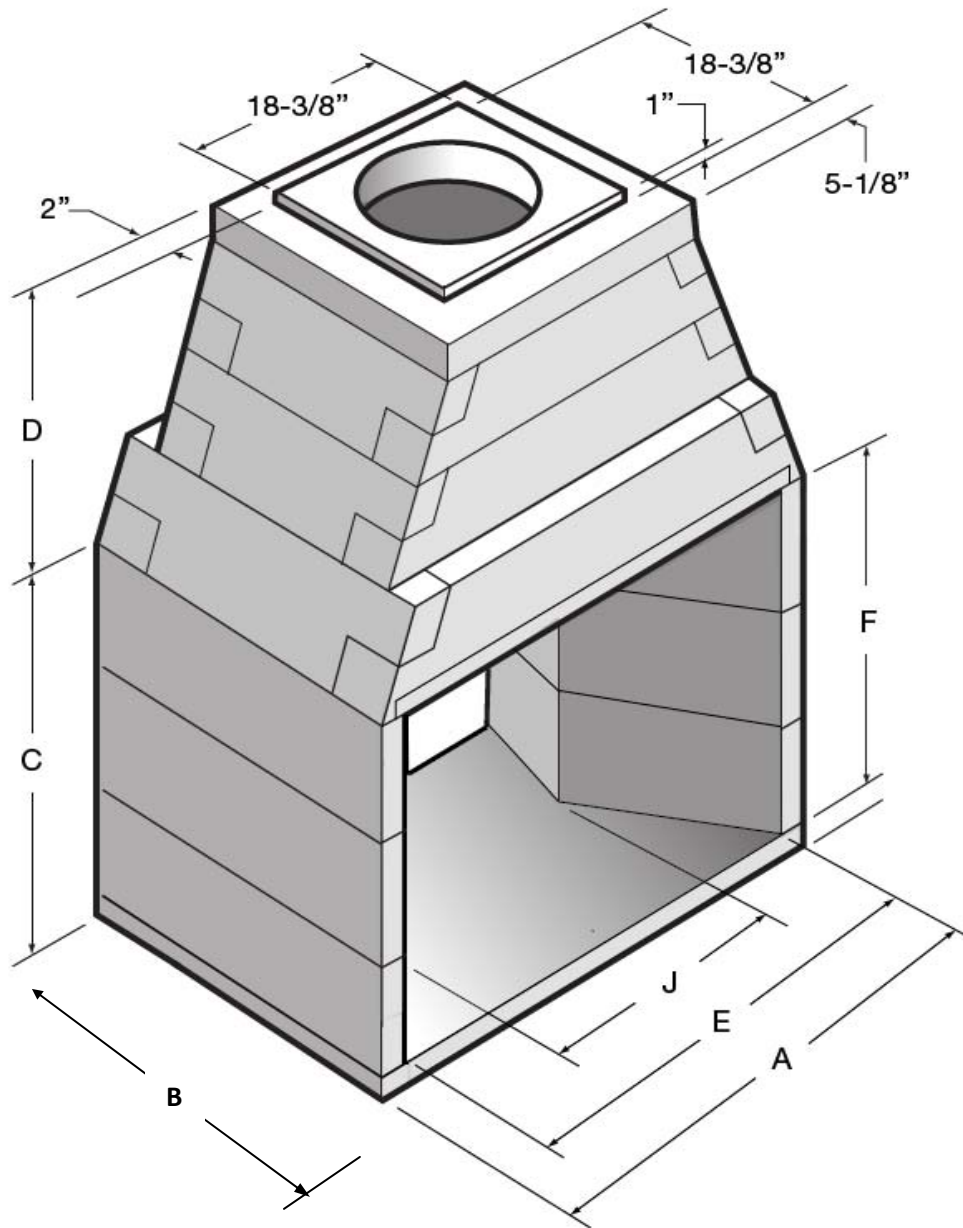
**THIS FIREPLACE HAS NOT BEEN TESTED WITH AN UNVENTED GAS LOG SET. TO REDUCE THE RISK OF FIRE OR INJURY, DO NOT INSTALL AN UNVENTED GAS LOG SET INTO THIS FIREPLACE."**

# FireRock

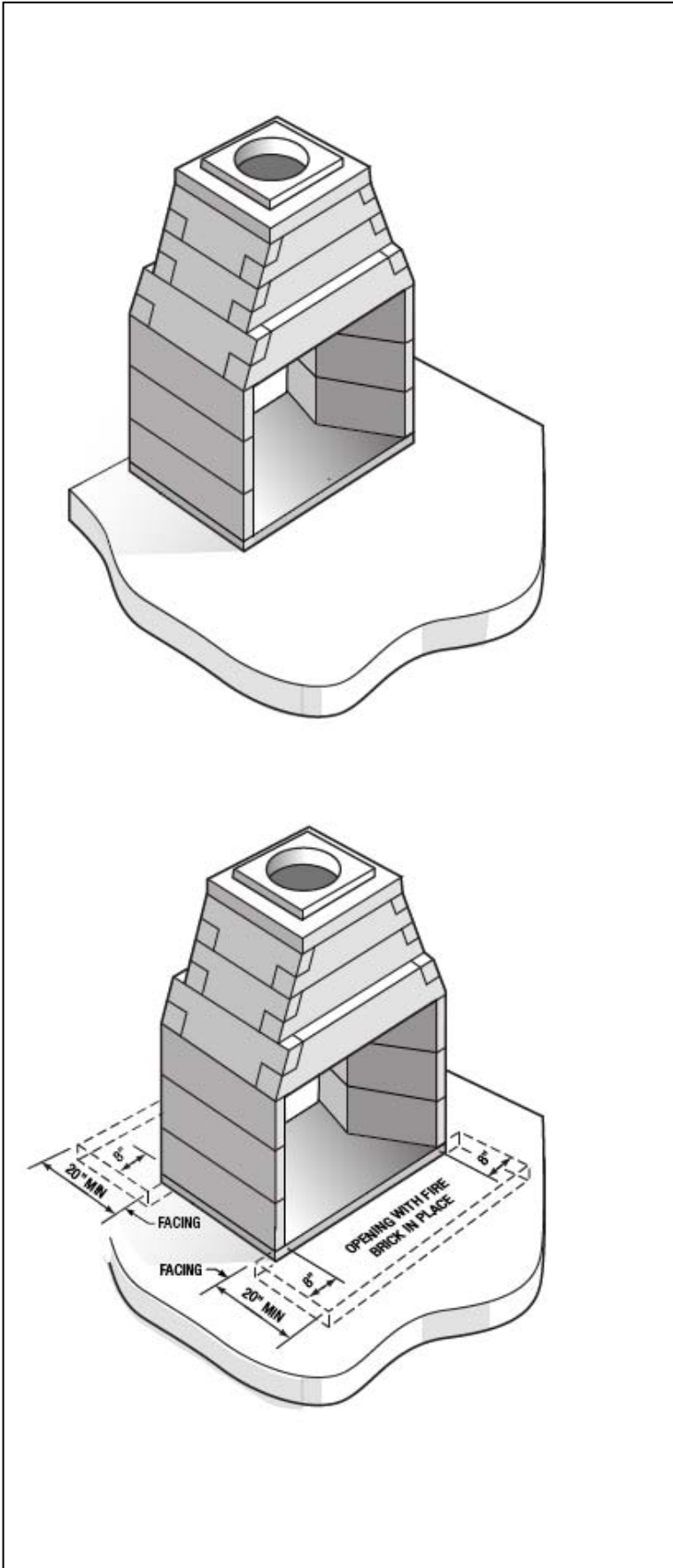
		<b>30"</b>	<b>36"</b>	<b>42"</b>	<b>48"</b>
<b>A</b>	<i>Overall Width</i>	38	44	50	56
<b>B</b>	<i>Overall Depth</i>	28 ½	28 ½	28 ½	28 ½
<b>C</b>	<i>Firebox Height</i>	38	38	38	38
<b>D</b>	<i>Smoke Chamber Ht.</i>	23	32 ½	32 ½	42
<b>F</b>	<i>Opening Height</i>	32 ½	38 ½	44 ½	50 ½
	<i>Width at Chimney Base</i>	26	26	32	32
<b>J</b>	<i>Firebox Width at Center</i>	22	28	34	40
	<i>Minimum Framing Width</i>	40	46	52	58
	<i>Height to First Header</i>	48	48	48	48

All dimensions in inches





The "callouts" on this page reference to the chart on the previous page.



## FOUNDATION

\*\*\* NOTE \*\*\*

When used as an unvented gas appliance enclosure, please refer to Page(s) 22 and 23 of the *Installation and Specification Manual*. No special foundation requirements apply.

The FireRock See-Thru fireplace must be erected on a non-combustible base with a non-combustible 20" hearth extension in front of *each* opening. The hearth extension(s) must extend at least 8" beyond each side of each opening.

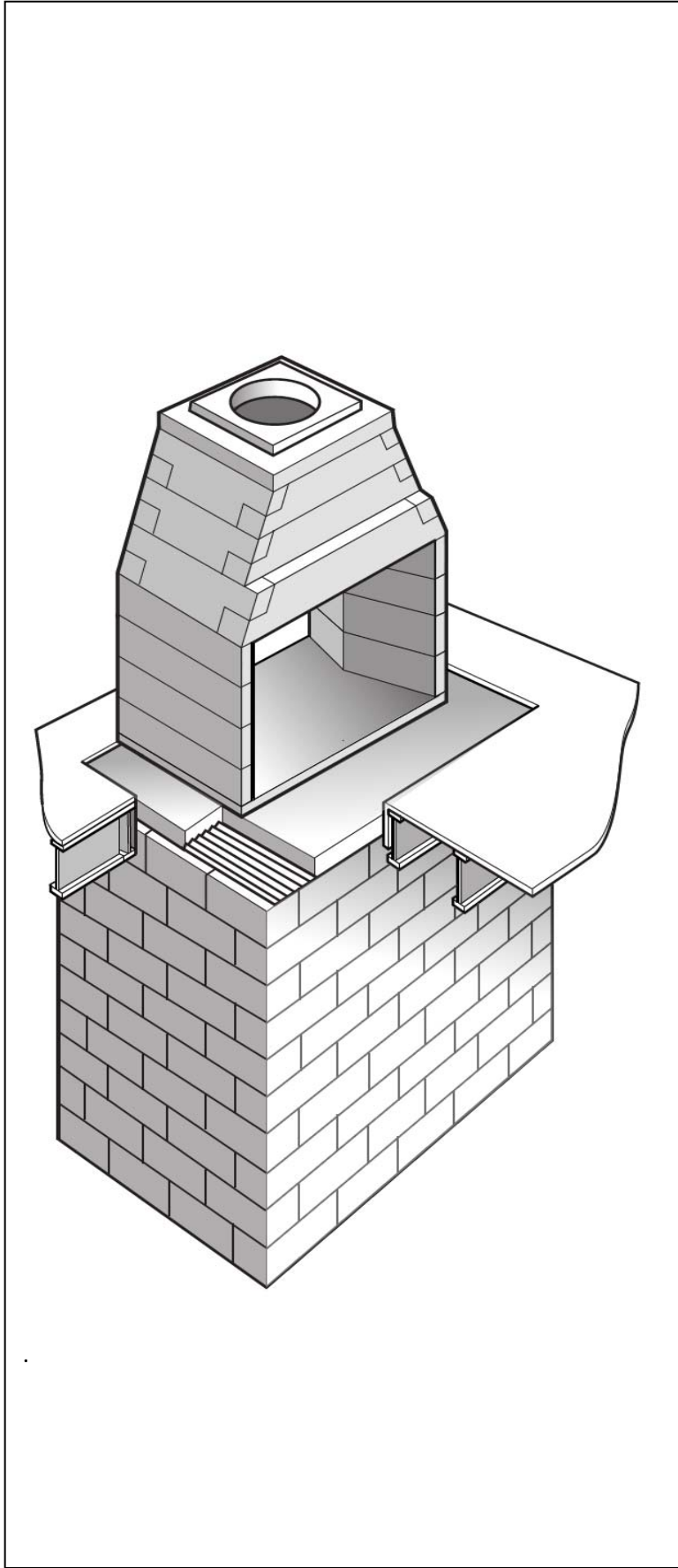
A concrete slab installation may be achieved with or without the FireRock baseplate.

\*\*\* NOTE \*\*\*

An outside air source provision or kit should be cut into the firebox side at this time.

All Local codes must be followed and supercede this manual.



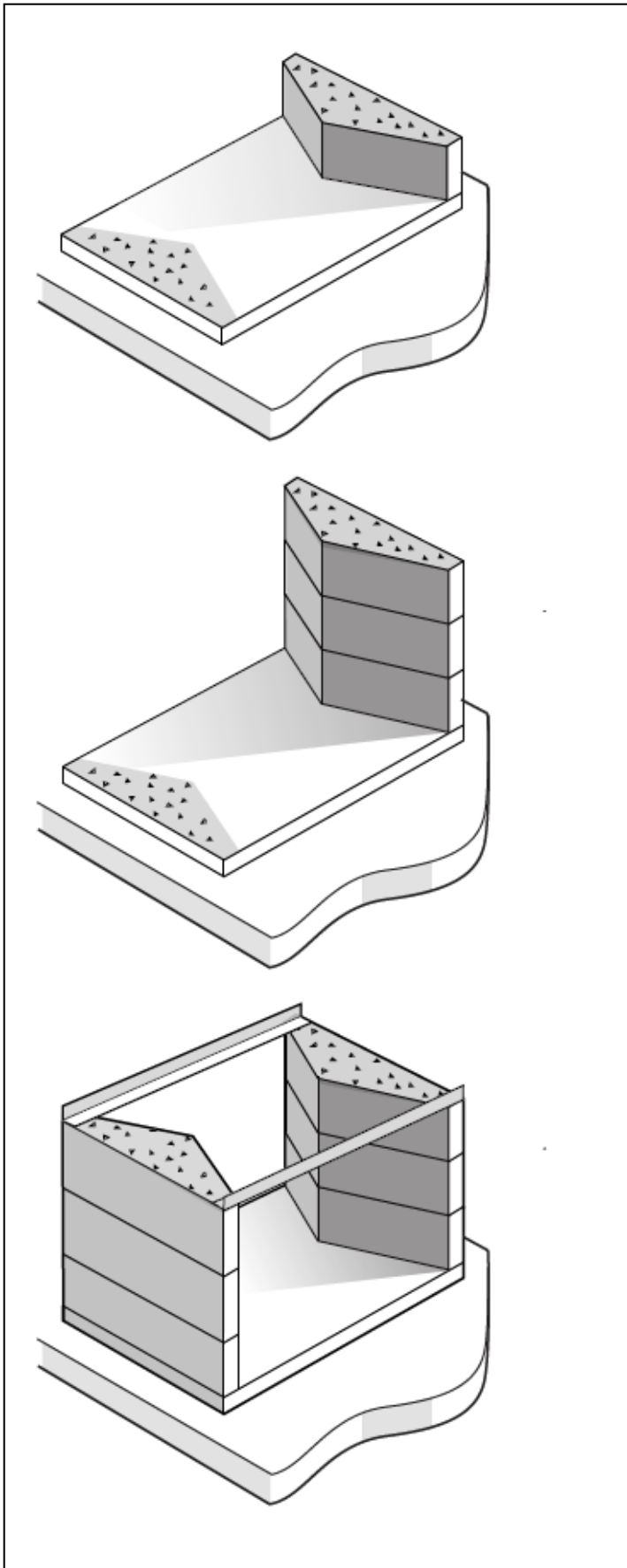


FOUNDATION (cont)

The non-combustible base is best made from a 4 – 6” thick concrete slab poured in place atop corrugated metal suspended over laid CMU’s (erected steel may be substituted). Once this decking is complete it is again your decision whether to use the FireRock baseplate or not.

\*\*\*Framing Consideration\*\*\*

A rough opening in the floor system for a See-Thru firebox and 20” hearth extension in front of each opening would be 72” wide and 69 inches deep.



## STEP TWO FIREBOX ASSEMBLY

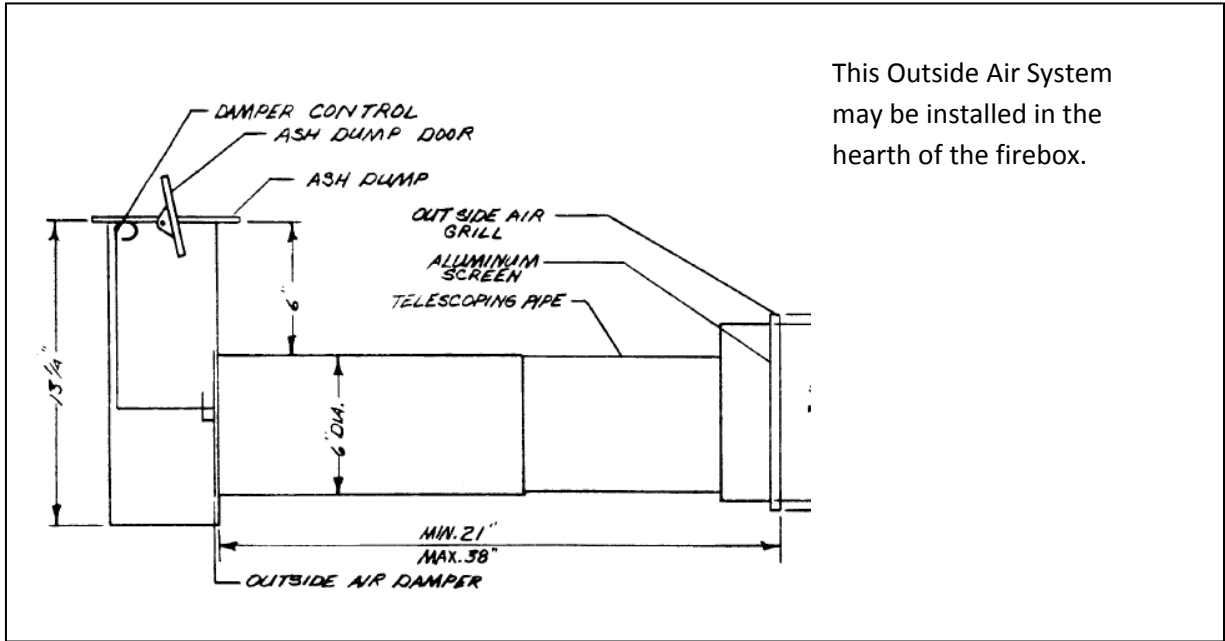
The baseplate must be placed on a non combustible surface. It is very important for your baseplate to be square to the room, properly centered and level. In the event you opt not to use the baseplate carefully chalk lines where the baseplate would be to assure proper placement of your firebox.

The firebox sides are next. Place a bead of mortar approximately one inch thick around the perimeter of the recess in the baseplate. Set the side blocks. Be sure to place a bead of FireRock adhesive mortar on all contacting surfaces. After setting the first side (3 blocks), move to the other side and set the side blocks for the other side. Sides can be installed angled in or out.

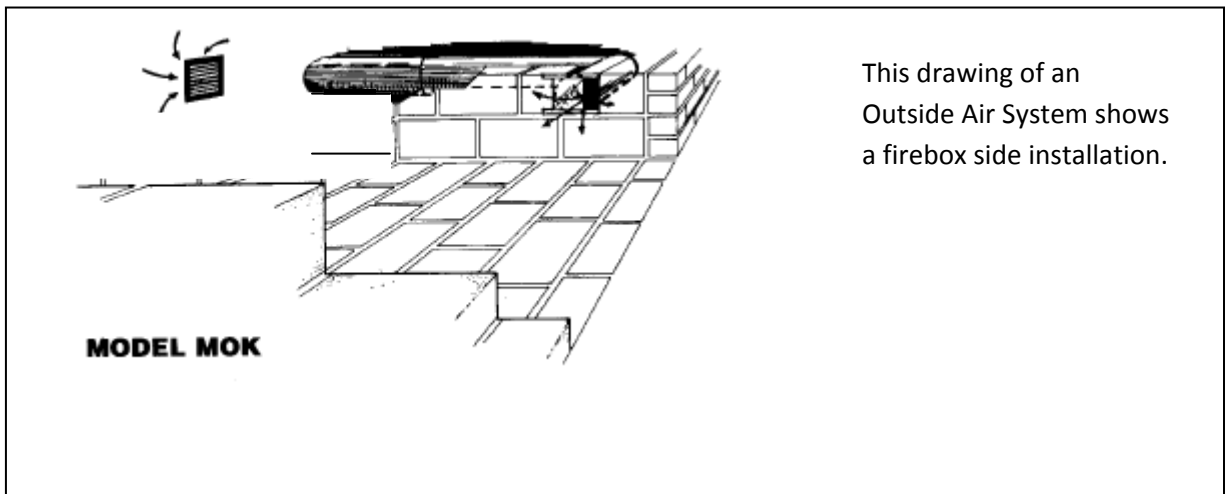
\*\*\*Use a level often to assure plumb and level installation of components\*\*\*

Outside Combustion Air inlet systems are addressed on the following page.

International Building Code as established by the International Code Council in 2006 provides that an outside combustion air source be installed in fireplaces.



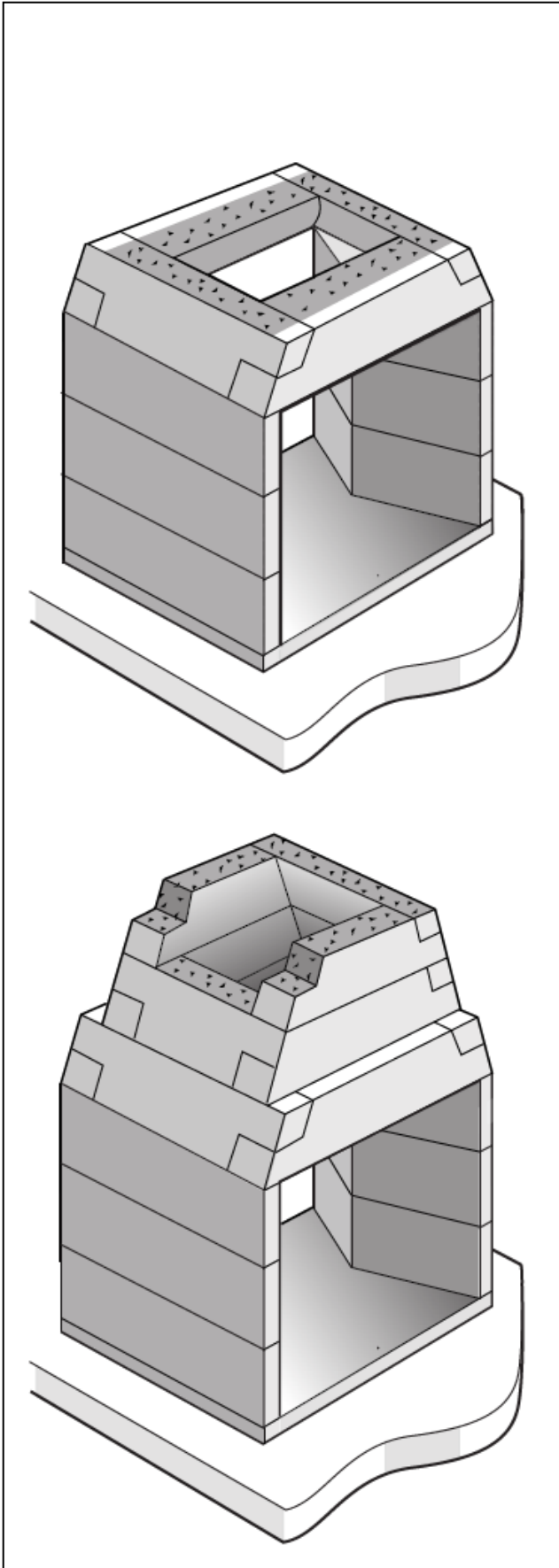
This Outside Air System may be installed in the hearth of the firebox.



This drawing of an Outside Air System shows a firebox side installation.

These Outside Air Systems are manufactured by Vestal Manufacturing of Sweetwater, TN and are available from your Fire Rock distributor. All installation instructions regarding maximum length and proper terminations are to be adhered to.

Outside Air Systems should never terminate in attic spaces.



### STEP THREE SMOKE CHAMBER

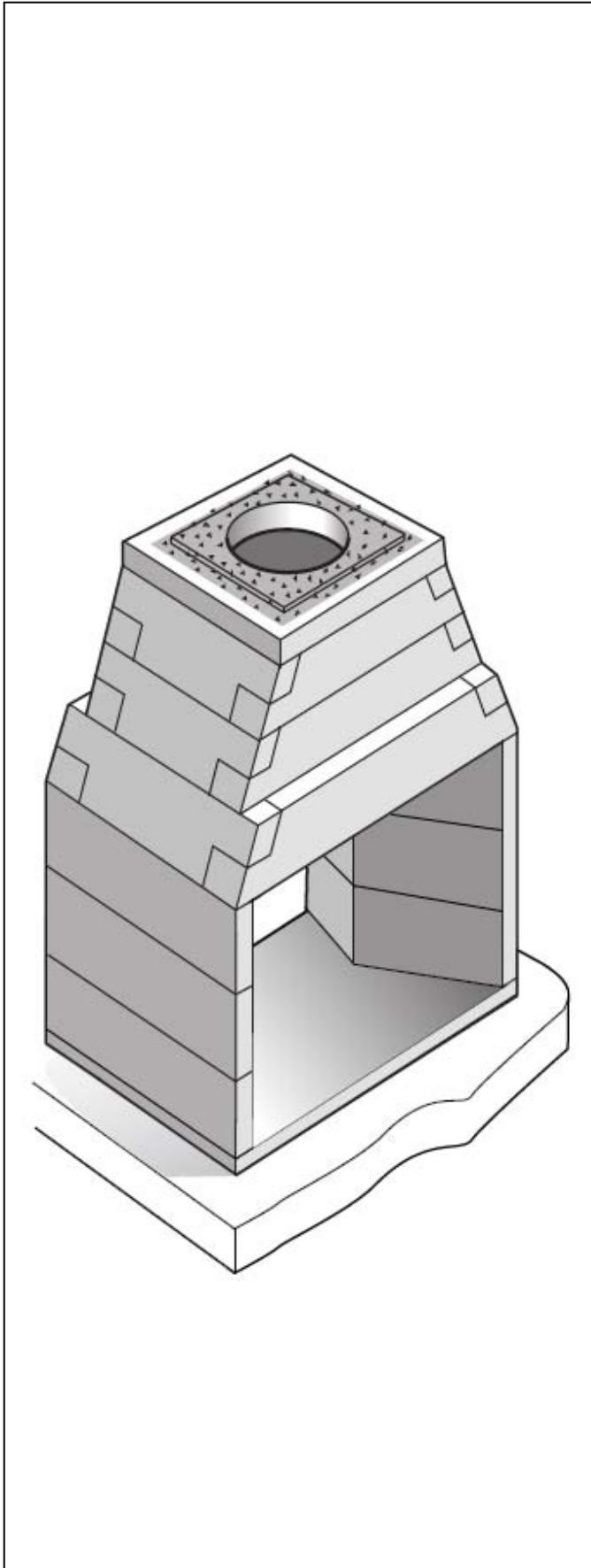
Two lengths of 2" x 2' x ¼" angle steel have been provided with your FireRock See-Thru fireplace kit and should be installed across the top of each firebox opening. It is recommended that these be installed "angle down" to provide an additional smoke lip for the purposes of minimizing smoke spillage.

There are two radius lentils in a See-Thru kit and they should be installed with the radii turned inward to form the throat.

It is important to note here that there is no damper at the throat of this product. A "top-seal" damper should be used.

After the throat course is laid the Smoke Chamber should be installed, centered, over the throat course. This will leave a 1 ½" ledge above each opening.

A 30" See-Thru kit has one course above the Throat Course, 36" and 42" See-Thru kits have two courses above the Throat Course and a 48" See-Thru kit has three courses above the Throat.



### FIREBOX SMOKE CHAMBER COMPLETION

The final component of the Smoke Chamber is the part that transitions from Smoke Chamber to chimney. Place a large bead of mortar before setting this final component and be sure it is level front to back and side to side.

At this point it is recommended to go back over each joint in the firebox and smoke chamber and “butter” it to be sure of a leak free seal.

### GLASS DOOR INSTALLATION

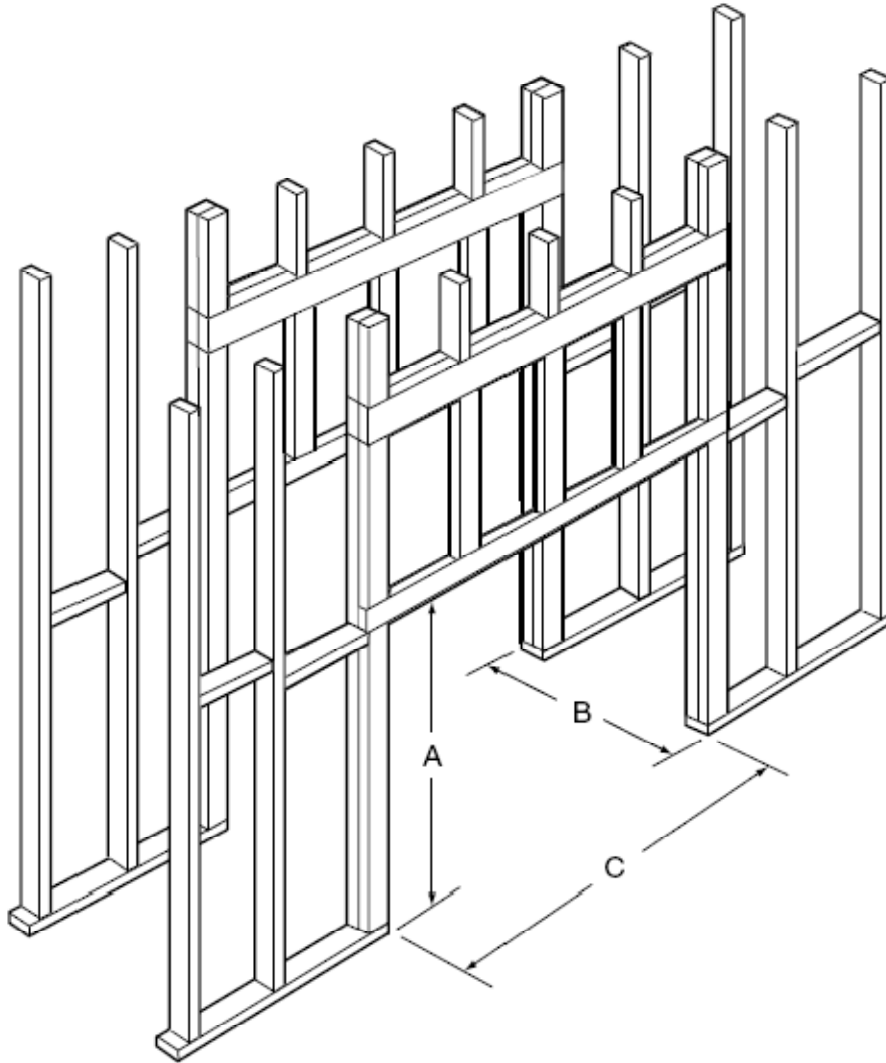
To ensure no smoke spillage or smoke “puffing” and a UL-127 compliant installation a set of glass or ceramic fireplace enclosure doors must be installed on one or both sides of the fireplace.

### CHIMNEY INSTALLATION

FireRock “Solid Block Chimney” may be installed from this point. Be sure enough FireRock Adhesive Mortar is used between each block to assure a leak free joint.

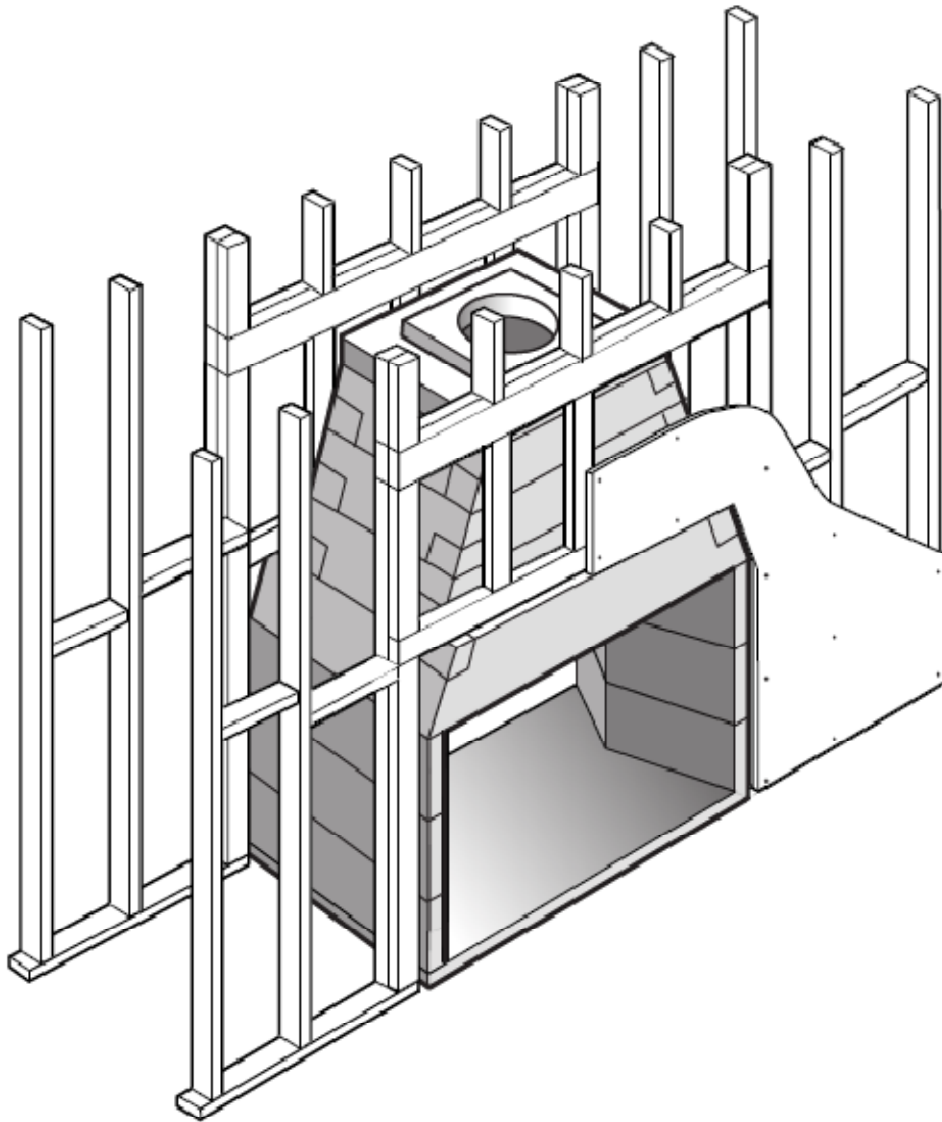
A UL – 103 metal chimney may be used as well, Please refer to the “Metal Chimney Installation” page.

## FRAMING DIMENSIONS

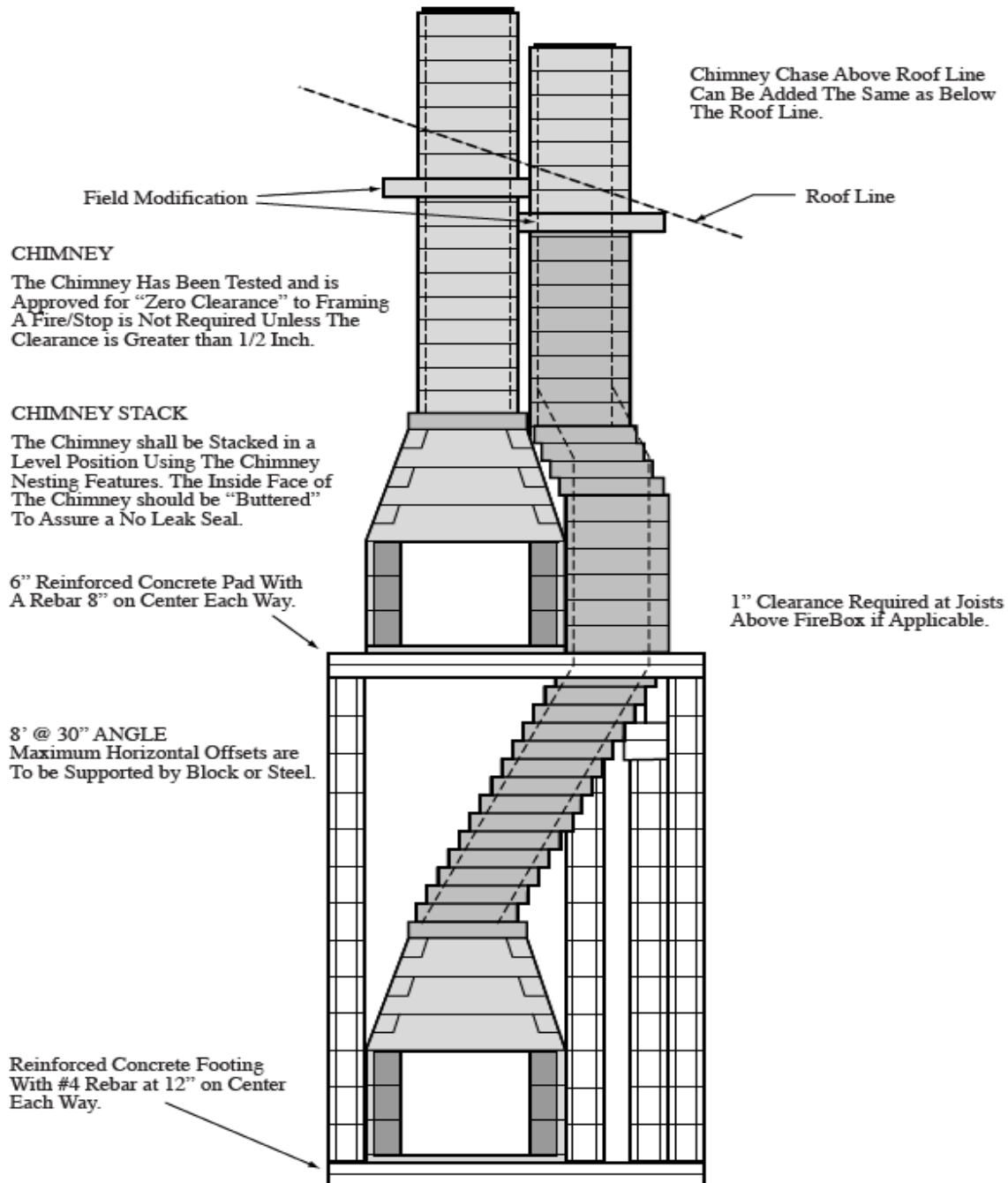


	<b>30"</b>	<b>36"</b>	<b>42"</b>	<b>48"</b>
<b>A</b>	48"	48"	48"	48"
<b>B</b>	28 ½"	28 ½"	28 ½"	28 ½"
<b>C</b>	40"	46"	52"	58"

TYPICAL GYPSUM BOARD APPLICATION

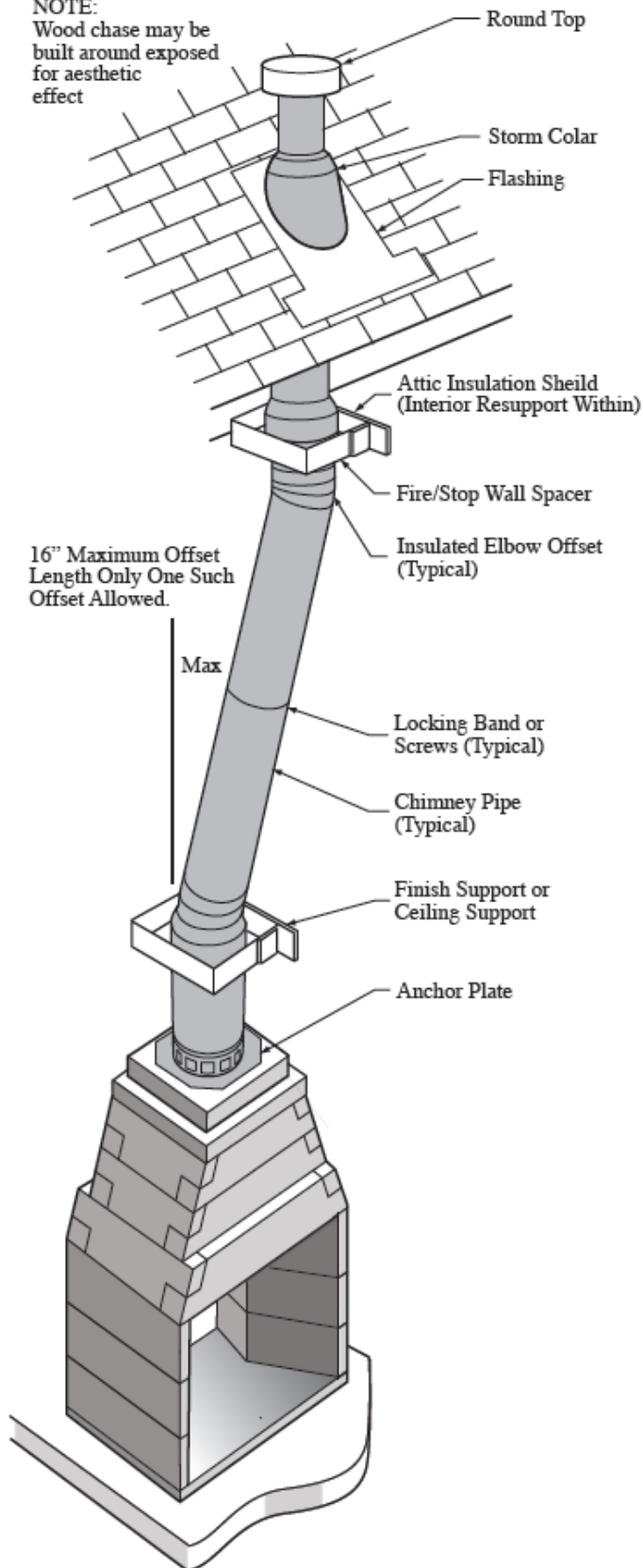


## MULTI FLOOR STACKING USING OFFSET BLOCKS





NOTE:  
Wood chase may be  
built around exposed  
for aesthetic  
effect



## METAL CHIMNEY INSTALLATION

Any UL – 103 compliant chimney may be used to vent a FireRock See-Thru fireplace.

FireRock recommends Simpson Dura Vent Dura Chimney II for venting. Simpson Dura-Vent also has a chart available for proper vent sizing. A Simpson Dura-Vent Installation Manual is available from your FireRock distributor.

All manufacturer's recommendations as put forth in their manual shall be adhered to.